

# ZGSM-LD35H

Introducing a New Premium Experience



## Specifications

### Electrical Specifications:

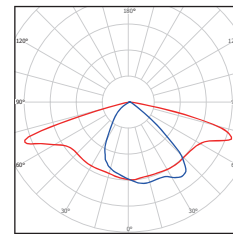
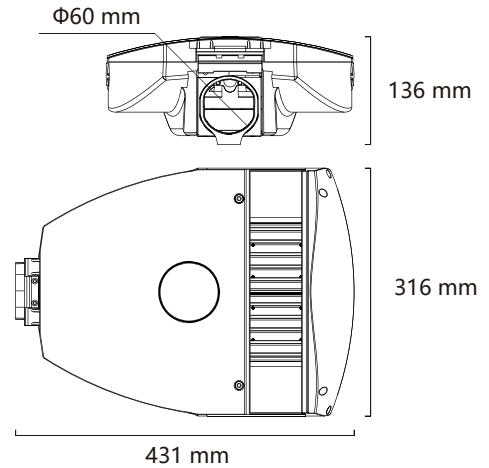
Model No.	ZGSM-LD35H
Nominal Wattage	35W
Nominal Voltage	AC 100-240V /277V, 50/60Hz/DC 12V /24V
LED Brand	Philips Lumileds
Driver Brand	Meanwell /Inventronics Driver
Optional Function	OLC, NTC, StepDIM, 0(1)-10V, DALI
Operating Temperature	-40 °C to +50 °C
Power Factor (PF)	> 0.9
THD	< 20
Protection	Class I ( Class II optional )
SPD	10KV(20KV optional)

### Photometric Specifications:

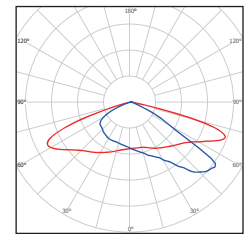
Lumen Output	3850 lm ( ±5% )
Optic	TYPE I, TYPE II, TYPE III, TYPE V
CRI	Ra ≥ 70 (80 optional)
CCT	<span style="border: 1px solid black; border-radius: 50%; padding: 2px 5px;">2700</span> <span style="border: 1px solid black; border-radius: 50%; padding: 2px 5px;">3000</span> <span style="border: 1px solid black; border-radius: 50%; padding: 2px 5px;">4000</span> <span style="border: 1px solid black; border-radius: 50%; padding: 2px 5px;">5000</span> <span style="border: 1px solid black; border-radius: 50%; padding: 2px 5px;">5700</span> <span style="border: 1px solid black; border-radius: 50%; padding: 2px 5px;">6500</span>

### Mechanical Specifications:

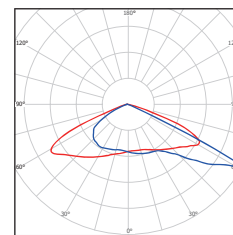
Ratings	IP66, IK10
Lifetime	> 100,000 hours -L70, @25 °C (77 °F)
Body	Anodized Aluminum
Pole Fitter Diameter	60mm ( 50mm optional )
Lens	PC
Fixture Dimension	431 x316 x136 mm
Packing Dimension	480 x370 x200 mm
Fixture Weight	5.3 kg
Packing Weight	6.3 kg



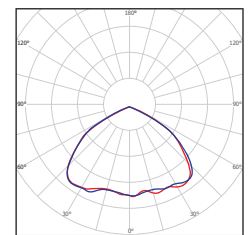
TYPE I



TYPE II



TYPE III



TYPE V

### Optional accessories:



Photocell



Shorting Cap



NEMA Socket  
(3/5/7pin)



Motion Sensor



Smart Controller



Adapters

# ZGSM-LD65H

Introducing a New Premium Experience



## Specifications

### Electrical Specifications:

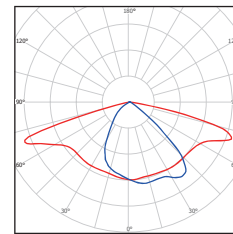
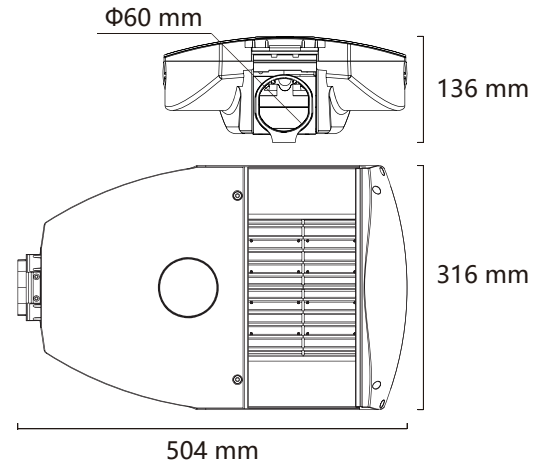
Model No.	ZGSM-LD650H
Nominal Wattage	65W
Nominal Voltage	AC 100-240V / 277V, 50/60Hz/DC 24V
LED Brand	Philips Lumileds
Driver Brand	Meanwell / Inventronics Driver
Optional Function	OLC, NTC, StepDIM, 0(1)-10V, DALI
Operating Temperature	-40 °C to +50 °C
Power Factor (PF)	> 0.9
THD	< 20
Protection	Class I ( Class II optional )
SPD	10KV(20KV optional)

### Photometric Specifications:

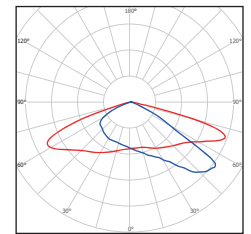
Lumen Output	7150 lm ( ±5% )
Optic	TYPE I, TYPE II, TYPE III, TYPE V
CRI	Ra ≥ 70 (80 optional)
CCT	<span style="border: 1px solid black; border-radius: 50%; padding: 2px 5px;">2700</span> <span style="border: 1px solid black; border-radius: 50%; padding: 2px 5px;">3000</span> <span style="border: 1px solid black; border-radius: 50%; padding: 2px 5px;">4000</span> <span style="border: 1px solid black; border-radius: 50%; padding: 2px 5px;">5000</span> <span style="border: 1px solid black; border-radius: 50%; padding: 2px 5px;">5700</span> <span style="border: 1px solid black; border-radius: 50%; padding: 2px 5px;">6500</span>

### Mechanical Specifications:

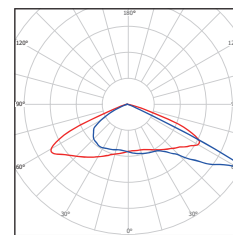
Ratings	IP66, IK10
Lifetime	> 100,000 hours -L70, @25 °C (77 °F)
Body	Anodized Aluminum
Pole Fitter Diameter	60mm ( 50mm optional )
Lens	PC
Fixture Dimension	504 x316 x136 mm
Packing Dimension	555 x370 x200 mm
Fixture Weight	6.1 kg
Packing Weight	7.3 kg



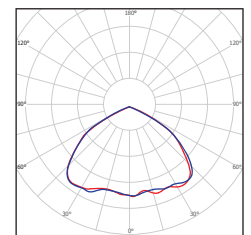
TYPE I



TYPE II



TYPE III



TYPE V

### Optional accessories:



Photocell



Shorting Cap



NEMA Socket  
(3/5/7pin)



Motion Sensor



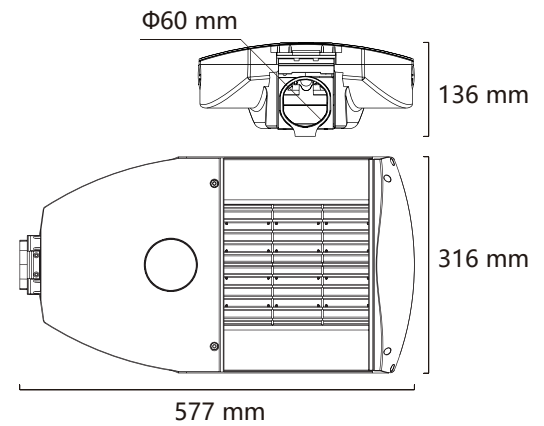
Smart Controller



Adapters

# ZGSM-LD100H

Introducing a New Premium Experience



## Specifications

### Electrical Specifications:

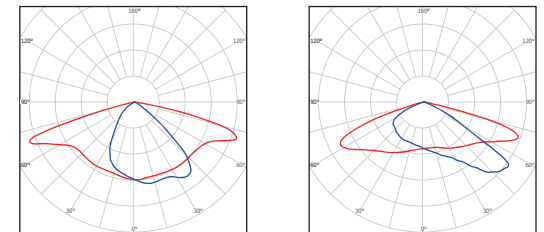
Model No.	ZGSM-LD100H
Nominal Wattage	100W
Nominal Voltage	AC 100-240V / 277V, 50/60Hz/DC 24V
LED Brand	Philips Lumileds
Driver Brand	Meanwell / Inventronics Driver
Optional Function	OLC, NTC, StepDIM, 0(1)-10V, DALI
Operating Temperature	-40 °C to +50 °C
Power Factor (PF)	> 0.9
THD	< 20
Protection	Class I ( Class II optional )
SPD	10KV(20KV optional)

### Photometric Specifications:

Lumen Output	11000 lm ( ±5% )
Optic	TYPE I, TYPE II, TYPE III, TYPE V
CRI	Ra ≥ 70 (80 optional)
CCT	<span style="border: 1px solid black; border-radius: 50%; padding: 2px 5px;">2700</span> <span style="border: 1px solid black; border-radius: 50%; padding: 2px 5px;">3000</span> <span style="border: 1px solid black; border-radius: 50%; padding: 2px 5px;">4000</span> <span style="border: 1px solid black; border-radius: 50%; padding: 2px 5px;">5000</span> <span style="border: 1px solid black; border-radius: 50%; padding: 2px 5px;">5700</span> <span style="border: 1px solid black; border-radius: 50%; padding: 2px 5px;">6500</span>

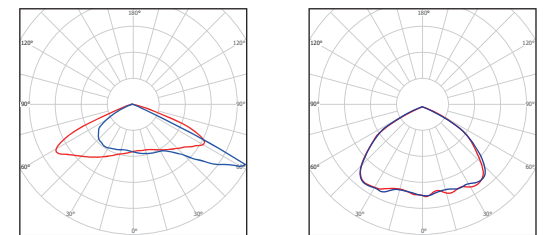
### Mechanical Specifications:

Ratings	IP66, IK10
Lifetime	> 100,000 hours -L70, @25 °C (77 °F)
Body	Anodized Aluminum
Pole Fitter Diameter	60mm ( 50mm optional )
Lens	PC
Fixture Dimension	577 x 316 x 136 mm
Packing Dimension	630 x 370 x 200 mm
Fixture Weight	7.3 kg
Packing Weight	8.6 kg



TYPE I

TYPE II



TYPE III

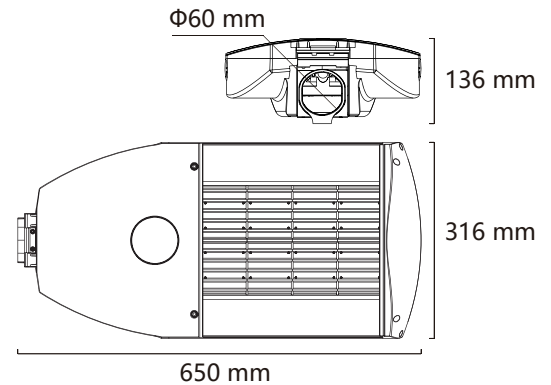
TYPE V

### Optional accessories:



# ZGSM-LD135H

Introducing a New Premium Experience



## Specifications

### Electrical Specifications:

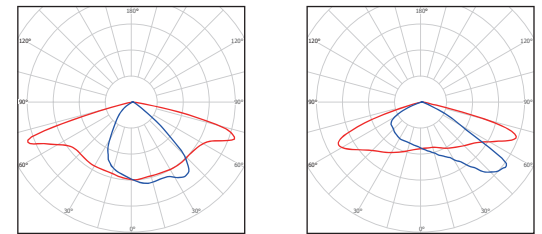
Model No.	ZGSM-LD135H
Nominal Wattage	135W
Nominal Voltage	AC 100-240V / 277V, 50/60Hz/DC 24V
LED Brand	Philips Lumileds
Driver Brand	Meanwell / Inventronics Driver
Optional Function	OLC, NTC, StepDIM, 0(1)-10V, DALI
Operating Temperature	-40 °C to +50 °C
Power Factor (PF)	> 0.9
THD	< 20
Protection	Class I ( Class II optional )
SPD	10KV(20KV optional)

### Photometric Specifications:

Lumen Output	14850 lm ( ±5% )
Optic	TYPE I, TYPE II, TYPE III, TYPE V
CRI	Ra ≥ 70 (80 optional)
CCT	<span style="border: 1px solid black; border-radius: 50%; padding: 2px 5px;">2700</span> <span style="border: 1px solid black; border-radius: 50%; padding: 2px 5px;">3000</span> <span style="border: 1px solid black; border-radius: 50%; padding: 2px 5px;">4000</span> <span style="border: 1px solid black; border-radius: 50%; padding: 2px 5px;">5000</span> <span style="border: 1px solid black; border-radius: 50%; padding: 2px 5px;">5700</span> <span style="border: 1px solid black; border-radius: 50%; padding: 2px 5px;">6500</span>

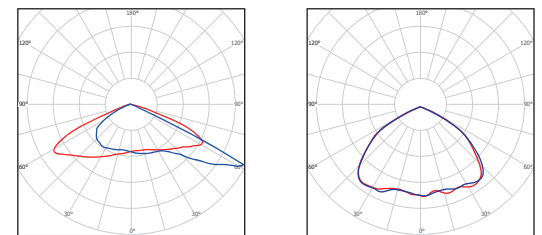
### Mechanical Specifications:

Ratings	IP66, IK10
Lifetime	> 100,000 hours -L70, @25 °C (77 °F)
Body	Anodized Aluminum
Pole Fitter Diameter	60mm ( 50mm optional )
Lens	PC
Fixture Dimension	650 x 316 x 136 mm
Packing Dimension	705 x 370 x 200 mm
Fixture Weight	8.2 kg
Packing Weight	9.6 kg



TYPE I

TYPE II



TYPE III

TYPE V

### Optional accessories:



Photocell



Shorting Cap



NEMA Socket  
(3/5/7pin)



Motion Sensor



Smart Controller

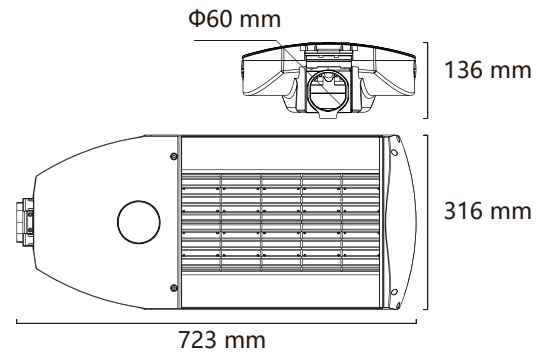


Adapters



# ZGSM-LD165H

Introducing a New Premium Experience



## Specifications

### Electrical Specifications:

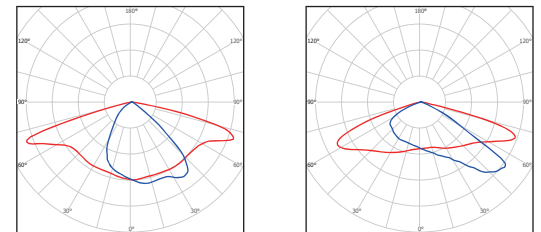
Model No.	ZGSM-LD165H
Nominal Wattage	165W
Nominal Voltage	AC 100-240V / 277V, 50/60Hz/DC 24V
LED Brand	Philips Lumileds
Driver Brand	Meanwell / Inventronics Driver
Optional Function	OLC, NTC, StepDIM, 0(1)-10V, DALI
Operating Temperature	-40 °C to +50 °C
Power Factor (PF)	> 0.9
THD	< 20
Protection	Class I ( Class II optional )
SPD	10KV(20KV optional)

### Photometric Specifications:

Lumen Output	18150 lm ( ±5% )
Optic	TYPE I, TYPE II, TYPE III, TYPE V
CRI	Ra ≥ 70 (80 optional)
CCT	<span style="border: 1px solid black; border-radius: 50%; padding: 2px 5px;">2700</span> <span style="border: 1px solid black; border-radius: 50%; padding: 2px 5px;">3000</span> <span style="border: 1px solid black; border-radius: 50%; padding: 2px 5px;">4000</span> <span style="border: 1px solid black; border-radius: 50%; padding: 2px 5px;">5000</span> <span style="border: 1px solid black; border-radius: 50%; padding: 2px 5px;">5700</span> <span style="border: 1px solid black; border-radius: 50%; padding: 2px 5px;">6500</span>

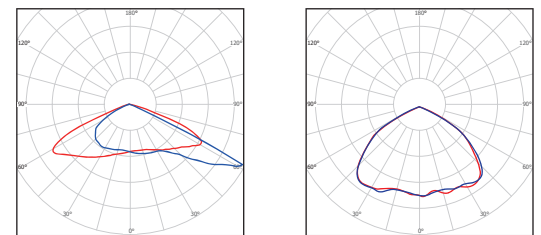
### Mechanical Specifications:

Ratings	IP66, IK10
Lifetime	> 100,000 hours -L70, @25 °C (77 °F)
Body	Anodized Aluminum
Pole Fitter Diameter	60mm ( 50mm optional )
Lens	PC
Fixture Dimension	732 x 316 x 136 mm
Packing Dimension	780 x 370 x 200 mm
Fixture Weight	9.0 kg
Packing Weight	10.6 kg



TYPE I

TYPE II



TYPE III

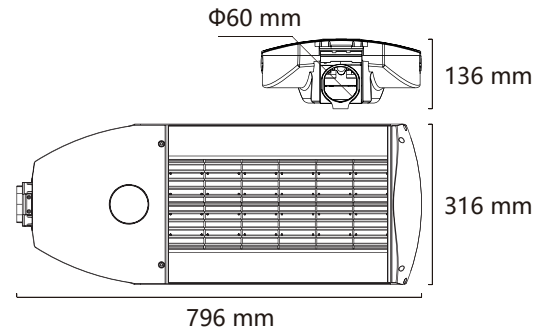
TYPE V

### Optional accessories:



# ZGSM-LD200H

Introducing a New Premium Experience



## Specifications

### Electrical Specifications:

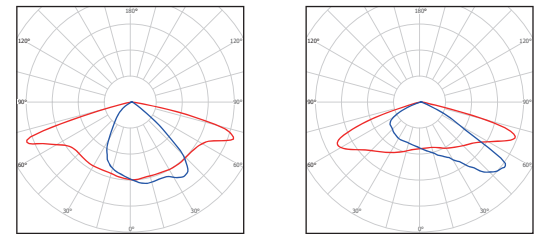
Model No.	ZGSM-LD200H
Nominal Wattage	200W
Nominal Voltage	AC 100-240V / 277V, 50/60Hz/DC 24V
LED Brand	Philips Lumileds
Driver Brand	Meanwell / Inventronics Driver
Optional Function	OLC, NTC, StepDIM, 0(1)-10V, DALI
Operating Temperature	-40 °C to +50 °C
Power Factor (PF)	> 0.9
THD	< 20
Protection	Class I ( Class II optional )
SPD	10KV(20KV optional)

### Photometric Specifications:

Lumen Output	22000 lm ( ±5% )
Optic	TYPE I, TYPE II, TYPE III, TYPE V
CRI	Ra ≥ 70 (80 optional)
CCT	<span style="border: 1px solid black; border-radius: 50%; padding: 2px 5px;">2700</span> <span style="border: 1px solid black; border-radius: 50%; padding: 2px 5px;">3000</span> <span style="border: 1px solid black; border-radius: 50%; padding: 2px 5px;">4000</span> <span style="border: 1px solid black; border-radius: 50%; padding: 2px 5px;">5000</span> <span style="border: 1px solid black; border-radius: 50%; padding: 2px 5px;">5700</span> <span style="border: 1px solid black; border-radius: 50%; padding: 2px 5px;">6500</span>

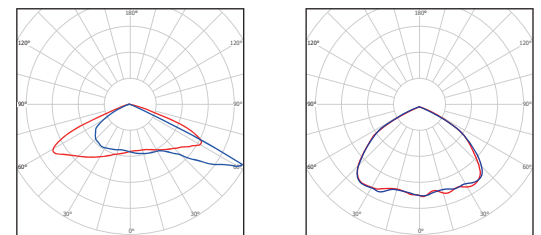
### Mechanical Specifications:

Ratings	IP66, IK10
Lifetime	> 100,000 hours -L70, @25 °C (77 °F)
Body	Anodized Aluminum
Pole Fitter Diameter	60mm ( 50mm optional )
Lens	PC
Fixture Dimension	796 x 316 x 136 mm
Packing Dimension	855 x 370 x 200 mm
Fixture Weight	9.9 kg
Packing Weight	11.6 kg



TYPE I

TYPE II



TYPE III

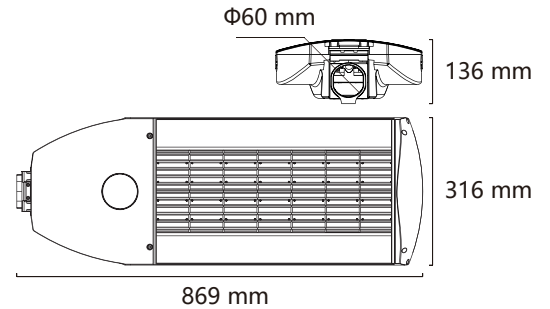
TYPE V

### Optional accessories:



# ZGSM-LD230H

Introducing a New Premium Experience



## Specifications

### Electrical Specifications:

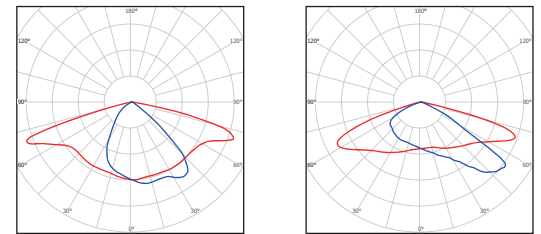
Model No.	ZGSM-LD230H
Nominal Wattage	230W
Nominal Voltage	AC 100-240V / 277V, 50/60Hz
LED Brand	Philips Lumileds
Driver Brand	Meanwell / Inventronics Driver
Optional Function	OLC, NTC, StepDIM, 0(1)-10V, DALI
Operating Temperature	-40 °C to +50 °C
Power Factor (PF)	> 0.9
THD	< 20
Protection	Class I ( Class II optional )
SPD	10KV(20KV optional)

### Photometric Specifications:

Lumen Output	25300 lm ( ±5% )
Optic	TYPE I, TYPE II, TYPE III, TYPE V
CRI	Ra ≥ 70 (80 optional)
CCT	<span style="border: 1px solid black; border-radius: 50%; padding: 2px 5px;">2700</span> <span style="border: 1px solid black; border-radius: 50%; padding: 2px 5px;">3000</span> <span style="border: 1px solid black; border-radius: 50%; padding: 2px 5px;">4000</span> <span style="border: 1px solid black; border-radius: 50%; padding: 2px 5px;">5000</span> <span style="border: 1px solid black; border-radius: 50%; padding: 2px 5px;">5700</span> <span style="border: 1px solid black; border-radius: 50%; padding: 2px 5px;">6500</span>

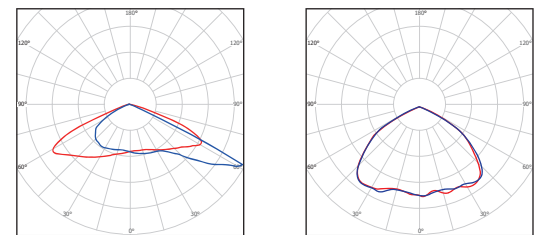
### Mechanical Specifications:

Ratings	IP66, IK10
Lifetime	> 100,000 hours -L70, @25 °C (77 °F)
Body	Anodized Aluminum
Pole Fitter Diameter	60mm ( 50mm optional )
Lens	PC
Fixture Dimension	869 x 316 x 136 mm
Packing Dimension	930 x 370 x 200 mm
Fixture Weight	10.8 kg
Packing Weight	12.6 kg



TYPE I

TYPE II



TYPE III

TYPE V

### Optional accessories:

