

# ZGSM-TGD280M

Introducing a New Premium Experience



LM-79  
LM-80

LM-80




RoHS  
Compliant

## Specifications

### Electrical Specifications:

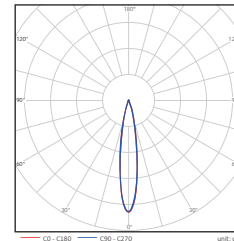
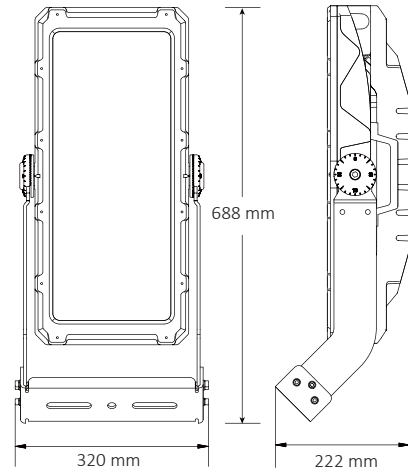
Model No.	ZGSM-TGD280M
Nominal Wattage	280W
Nominal Voltage	AC 100-240V /277V, 50/60Hz
LED Brand	Philips Lumileds
Driver Brand	Inventronics Driver
Optional Function	OLC, NTC, StepDIM, 0(1)-10V, DALI
Operating Temperature	-40 °C to +50 °C
Power Factor (PF)	> 0.9
THD	< 20
Protection	Class I
SPD	10KV (20KV optional)

### Photometric Specifications:

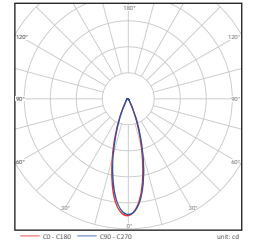
Lumen Output	42000 lm (±5%)
Optic	15°, 30°, 45°, 60°
CRI	Ra ≥ 70 (80 optional)
CCT	

### Mechanical Specifications:

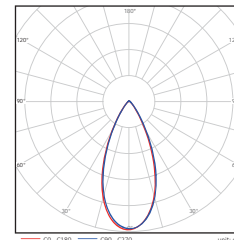
Ratings	IP66, IK10
Lifetime	> 100,000 hours -L70, @25 °C (77 °F)
Body	Die-cast aluminum and Toughened glass
Lens	PC
Fixture Dimension	687 x 320 x 222 mm
Packing Dimension	770 x 385 x 235 mm
Fixture Weight	17.0 kg
Packing Weight	20.0 kg



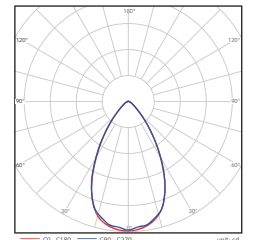
Lens code: 15°



Lens code: 30°



Lens code: 45°



Lens code: 60°

### Optional accessories:



Laser Pen



Smart Controller

# ZGSM-TGD560M

Introducing a New Premium Experience



LM-79  
LM-80

LM-80




RoHS  
Compliant

## Specifications

### Electrical Specifications:

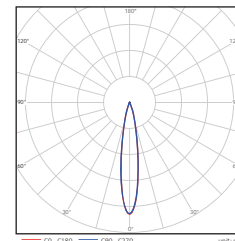
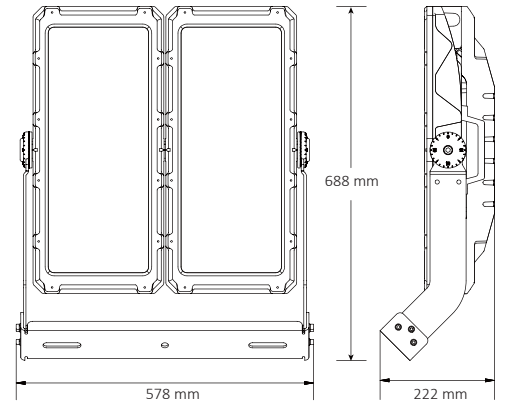
Model No.	ZGSM-TGD560M
Nominal Wattage	560W
Nominal Voltage	AC 100-240V /277V, 50/60Hz
LED Brand	Philips Lumileds
Driver Brand	Inventronics Driver
Optional Function	OLC, NTC, StepDIM, 0(1)-10V, DALI
Operating Temperature	-40 °C to +50 °C
Power Factor (PF)	> 0.9
THD	< 20
Protection	Class I
SPD	10KV (20KV optional)

### Photometric Specifications:

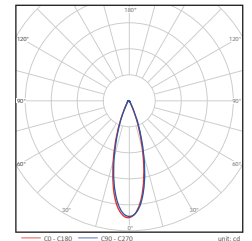
Lumen Output	84000 lm (±5%)
Optic	15°, 30°, 45°, 60°
CRI	Ra ≥ 70 (80 optional)
CCT	

### Mechanical Specifications:

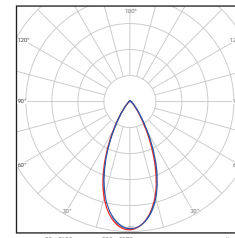
Ratings	IP66, IK10
Lifetime	> 100, 000 hours -L70, @25 °C (77 °F)
Body	Die-cast aluminum and Toughened glass
Lens	PC
Fixture Dimension	687 x578 x222 mm
Packing Dimension	770 x640 x235 mm
Fixture Weight	30.0 kg
Packing Weight	35.5 kg



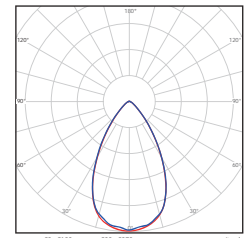
Lens code: 15°



Lens code: 30°



Lens code: 45°



Lens code: 60°

### Optional accessories:



Laser Pen



Smart Controller

# ZGSM-TGD840M

Introducing a New Premium Experience



LM-79  
LM-80

LM-80



RoHS  
Compliant

## Specifications

### Electrical Specifications:

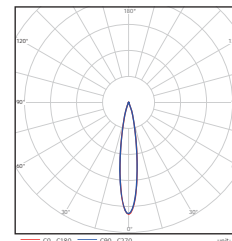
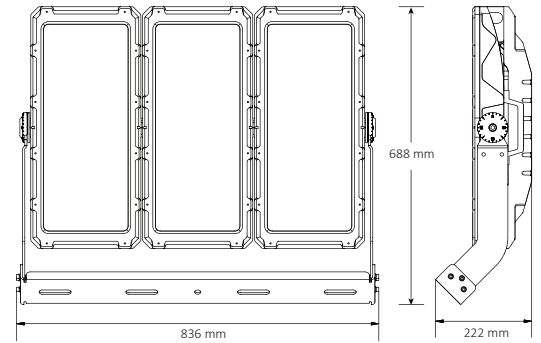
Model No.	ZGSM-TGD840M
Nominal Wattage	840W
Nominal Voltage	AC 100-240V /277V, 50/60Hz
LED Brand	Philips Lumileds
Driver Brand	Inventronics Driver
Optional Function	OLC, NTC, StepDIM, 0(1)-10V, DALI
Operating Temperature	-40 °C to +50 °C
Power Factor (PF)	> 0.9
THD	< 20
Protection	Class I
SPD	10KV (20KV optional)

### Photometric Specifications:

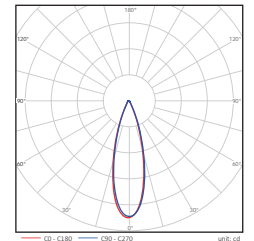
Lumen Output	126000 lm (±5%)
Optic	15°, 30°, 45°, 60°
CRI	Ra ≥ 70 (80 optional)
CCT	<div style="display: flex; gap: 10px;"> <div style="border: 1px solid black; border-radius: 50%; padding: 2px 5px;">2700</div> <div style="border: 1px solid black; border-radius: 50%; padding: 2px 5px;">3000</div> <div style="border: 1px solid black; border-radius: 50%; padding: 2px 5px;">4000</div> <div style="border: 1px solid black; border-radius: 50%; padding: 2px 5px;">5000</div> <div style="border: 1px solid black; border-radius: 50%; padding: 2px 5px;">5700</div> <div style="border: 1px solid black; border-radius: 50%; padding: 2px 5px;">6500</div> </div>

### Mechanical Specifications:

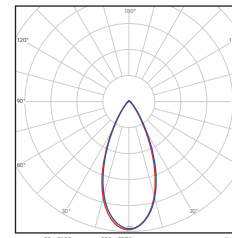
Ratings	IP66, IK10
Lifetime	> 100,000 hours -L70, @25 °C (77 °F)
Body	Die-cast aluminum and Toughened glass
Lens	PC
Fixture Dimension	687 x 836 x 222 mm
Packing Dimension	770 x 900 x 235 mm
Fixture Weight	43.0 kg
Packing Weight	50.0 kg



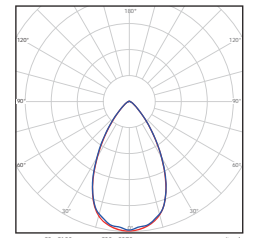
Lens code: 15°



Lens code: 30°



Lens code: 45°



Lens code: 60°

### Optional accessories:



Laser Pen



Smart Controller