

# HB -SERIES



SAVE TODAY'S ENERGY FOR TOMORROW



## LED BAY/FLOOD LIGHTS



**Overview**

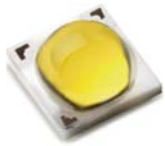
The ZGSM® HB-Series LED bay/flood lights are using PHILIPS LUMILEDS® luminous source, providing excellent lumen output, long-lasting stability and splendid sight.

The ZGSM HB-Series LED bay/flood lights have a high luminous efficiency and better service life. Provide 7 years warranty on luminaire.

**Color Options**

● Silver Gray

**HIGH-EFFICACY LED LIGHT SOURCE**



**Philips Lumileds Luxeon TX**  
Greater than 135lm/W high efficacy, illumination grade LED light source.



**Philips Lumileds 3030 2D**  
Greater than 150lm/W high efficacy, illumination grade LED light source.



**Philips Lumileds 5050**  
Greater than 185lm/W high efficacy, illumination grade LED light source.

**HIGH-END LED DRIVER (Two options)**

**+ NON-DIMMABLE**



High-end Mean Well HLG Series LED driver, optimal stability, performance and lifespan.

**+ DIMMABLE**

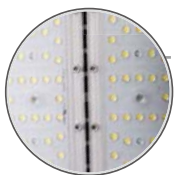
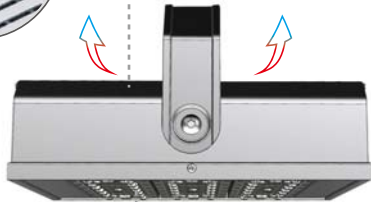


High-end Inventronics programmable LED driver, integrate dimming function and 6KV /10KV surge protection. Provide excellent performance and lifespan.

**AIR CONVECTION EFFECT**

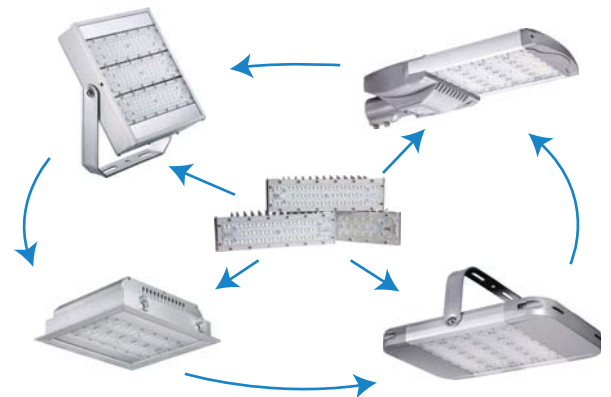


Reasonable heat sink design, not only keep ventilation but also avoid laceration.

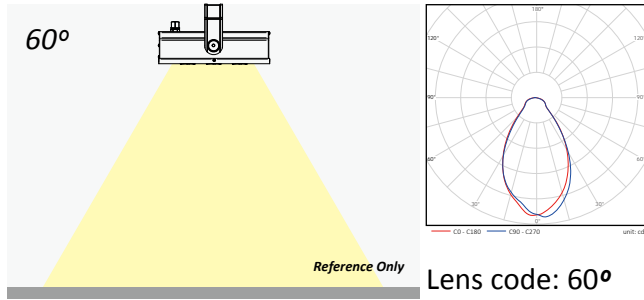


Gaps between each module increase heat dissipation speed and solve the problem of dust deposition.

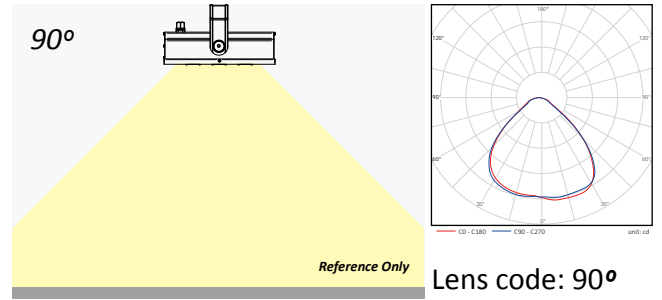
**FLEXIBLE COMBINATIONS OF MODULES**



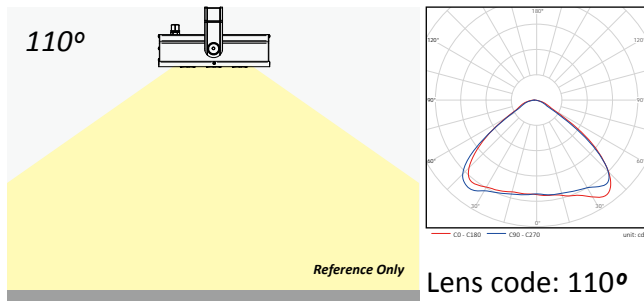
### Optics



Applications:  
 Bay Light: Shelf Aisle | High Hall | High Workshop  
 Flood Light: Billboard | Area | Architecture | Landscape Lighting

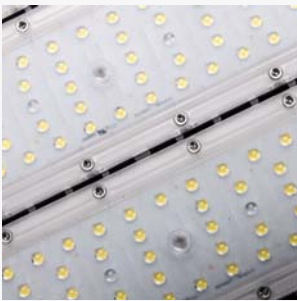


Applications:  
 Bay Light: Warehouse | Workshop  
 Flood Light: Billboard | Area | Architecture | Landscape Lighting



Applications:  
 Bay Light: Warehouse | Workshop | Gas Station  
 Flood Light: Billboard | Area | Architecture | Landscape Lighting

### Design Features



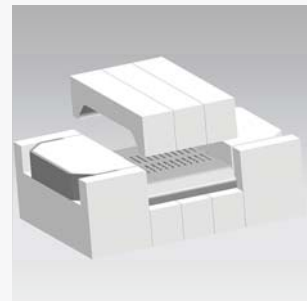
Professional lens design with 60°, 90° and 110° optional.



Use M16 waterproof connector, avoid hard power damage.



Full aluminum made, sufficient heat dissipation area also no corrosion worries.



A special tailormade packaging designed to guarantee the highest protection of the lamp.



Use waterproof connector for internal wiring, safe, convenient & fast.



Innovative pluggable connector, clean & efficient.



UL standard connection.



The exquisite and innovated frame holder not only makes the installation more simple but also firmer.

DETAILED FEATURES

### Electrical & Photometric

#### ★ 3030 Version

Number of Modules	Model*1	LED Working Current	Power	Luminaire Efficacy (+/- 5%)	Lumen Output (+/- 5%)	Input Voltage	LED Brand	Driver Brand	Light Distributions	CCT (K)	Lifetime (h)
1	ZGSM-GCD40H4B ZGSM-FGD40H4B	95mA	40W	140 lm /w	5600 lm	100-240V /277V AC 50 /60Hz	Philips Lumileds 3030 2D	MeanWell Inventronics	60° 90° 110°	3000*2 4000 5000 5700	>100,000 (L70)
	ZGSM-GCD50H5B ZGSM-FGD50H5B	115mA	50W	130 lm /w	6500 lm						
	ZGSM-GCD60H6B ZGSM-FGD60H6B	145mA	60W	125 lm /w	7500 lm						
	ZGSM-GCD80H4B ZGSM-FGD80H4B	100mA	80W	140 lm /w	11200 lm						
2	ZGSM-GCD100H5B ZGSM-FGD100H5B	120mA	100W	130 lm /w	13000 lm						
	ZGSM-GCD120H6B ZGSM-FGD120H6B	145mA	120W	125 lm /w	15000 lm						
	ZGSM-GCD120H4B ZGSM-FGD120H4B	100mA	120W	140 lm /w	16800 lm						
3	ZGSM-GCD150H5B ZGSM-FGD150H5B	120mA	150W	130 lm /w	19500 lm						
	ZGSM-GCD180H6B ZGSM-FGD180H6B	145mA	180W	125 lm /w	22500 lm						
	ZGSM-GCD160H4B ZGSM-FGD160H4B	100mA	160W	140 lm /w	22400 lm						
	ZGSM-GCD200H5B ZGSM-FGD200H5B	120mA	200W	130 lm /w	26000 lm						
4	ZGSM-GCD240H6B ZGSM-FGD240H6B	145mA	240W	125 lm /w	30000 lm						
	ZGSM-GCD200H4B ZGSM-FGD200H4B	100mA	200W	140 lm /w	28000 lm						
	ZGSM-GCD240H5B ZGSM-FGD240H5B	120mA	240W	130 lm /w	31200 lm						

\*1 Model of Bay Light: ZGSM-GCDXXHXB | Model of Flood Light: ZGSM-FGDXXHXB.

\*2 Luminous Efficacy of 3000K is 5% lower than other CCTs.

#### ★ 5050 Version

Number of Modules	Model*1	LED Working Current	Power	Luminaire Efficacy (+/- 5%)	Lumen Output (+/- 5%)	Input Voltage	LED Brand	Driver Brand	Light Distributions	CCT (K)	Lifetime (h)
1	ZGSM-GCD40H4B ZGSM-FGD40H4B	48mA	40W	165 lm /w	6600 lm	100-240V /277V AC 50 /60Hz	Philips Lumileds 5050	MeanWell Inventronics	110°	3000*2 4000 5000 5700	>100,000 (L70)
	ZGSM-GCD50H5B ZGSM-FGD50H5B	59mA	50W	160 lm /w	8000 lm						
	ZGSM-GCD60H6B ZGSM-FGD60H6B	75mA	60W	155 lm /w	9300 lm						
	ZGSM-GCD80H4B ZGSM-FGD80H4B	50mA	80W	165 lm /w	13200 lm						
2	ZGSM-GCD100H5B ZGSM-FGD100H5B	61mA	100W	160 lm /w	16000 lm						
	ZGSM-GCD120H6B ZGSM-FGD120H6B	75mA	120W	155 lm /w	18600 lm						
	ZGSM-GCD120H4B ZGSM-FGD120H4B	50mA	120W	165 lm /w	19800 lm						
3	ZGSM-GCD150H5B ZGSM-FGD150H5B	58mA	150W	160 lm /w	24000 lm						
	ZGSM-GCD180H6B ZGSM-FGD180H6B	75mA	180W	155 lm /w	27900 lm						
	ZGSM-GCD160H4B ZGSM-FGD160H4B	50mA	160W	165 lm /w	26400 lm						
	ZGSM-GCD200H5B ZGSM-FGD200H5B	58mA	200W	160 lm /w	32000 lm						
4	ZGSM-GCD240H6B ZGSM-FGD240H6B	75mA	240W	155 lm /w	37200 lm						
	ZGSM-GCD200H4B ZGSM-FGD200H4B	50mA	200W	165 lm /w	33000 lm						
	ZGSM-GCD240H5B ZGSM-FGD240H5B	61mA	240W	160 lm /w	38400 lm						

\*1 Model of Bay Light: ZGSM-GCDXXHXB | Model of Flood Light: ZGSM-FGDXXHXB.

\*2 Luminous Efficacy of 3000K is 5% lower than other CCTs.

### ★ 3535 Version

Number of Modules	Model*1	LED Working Current	Power	Luminaire Efficacy (+/- 5%)	Lumen Output (+/- 5%)	Input Voltage	LED Brand	Driver Brand	Light Distributions	CCT (K)	Lifetime (h)
1	ZGSM-GCD40HB ZGSM-FGD40HB	860mA	40W	110 lm /w	4400 lm	100-240V /277V AC 50 /60Hz	Philips Lumileds Luxeon TX	MeanWell Inventronics	60° 90° 110°	3000*2 4000 5000 5700	>100,000 (L70)
2	ZGSM-GCD80HB ZGSM-FGD80HB	900mA	80W	110 lm /w	8800 lm						
3	ZGSM-GCD120HB ZGSM-FGD120HB	900mA	120W	110 lm /w	13200 lm						
4	ZGSM-GCD160HB ZGSM-FGD160HB	900mA	160W	110 lm /w	17600 lm						
5	ZGSM-GCD200HB ZGSM-FGD200HB	900mA	200W	110 lm /w	22000 lm						
6	ZGSM-GCD240HB ZGSM-FGD240HB	900mA	240W	110 lm /w	26400 lm						

\*1 Model of Bay Light: ZGSM-GCDXXHB | Model of Flood Light: ZGSM-FGDXXHB.

\*2 Luminous Efficacy of 3000K is 5% lower than other CCTs.

### Working Environment & Packing

Number of Modules	Product Dimensions (mm)	Carton Size (mm)	N.W (kg)	G.W (kg)	Working Environment	Storage Temperature	Rating	CRI	Power Factor	Power Efficiency	Material
1	166*270*165(Bay Light) 166*270*190(Flood Light)	285*370*200	2.4	3.1	-40 °C ~ +50 °C 10% ~ 90%RH	-40 °C ~ +50 °C	Class I IP66 IK10	>70	>0.95	>90%	Housing: Aluminium Alloy; Lens: PC
2	239*270*165(Bay Light) 239*270*227(Flood Light)	355*370*200	3.6	4.4							
3	312*270*165(Bay Light) 312*270*263(Flood Light)	430*370*200	4.5	5.4							
4	385*270*165(Bay Light) 385*270*300(Flood Light)	505*370*200	5.4	6.3							
5	458*270*165(Bay Light) 458*270*336(Flood Light)	580*370*200	6.3	7.2							
6	531*270*165(Bay Light) 531*270*373(Flood Light)	650*370*200	7.1	8.1							

Note: Above data of weight are all typical values.

### Certification

Manufacturer
ISO9001, ISO14001
HB Series [ ZGSM-GCD40HB, ZGSM-GCD80HB, ZGSM-GCD120HB, ZGSM-GCD160HB, ZGSM-GCD200HB, ZGSM-GCD240HB ]
HB Series [ ZGSM-FGD40HB, ZGSM-FGD80HB, ZGSM-FGD120HB, ZGSM-FGD160HB, ZGSM-FGD200HB, ZGSM-FGD240HB ]
CE, ROHS, GS, CB, SAA, UL, cUL, DLC, LM79, LM80
H4B/H5B Series [ ZGSM-GCD40H4B, ZGSM-GCD80H4B, ZGSM-GCD120H4B, ZGSM-GCD160H4B, ZGSM-GCD200H4B   ZGSM-GCD50H5B, ZGSM-GCD100H5B, ZGSM-GCD150H5B, ZGSM-GCD200H5B, ZGSM-GCD240H5B ]
H4B/H5B Series [ ZGSM-FGD40H4B, ZGSM-FGD80H4B, ZGSM-FGD120H4B, ZGSM-FGD160H4B, ZGSM-FGD200H4B   ZGSM-FGD50H5B, ZGSM-FGD100H5B, ZGSM-FGD150H5B, ZGSM-FGD200H5B, ZGSM-FGD240H5B ]
CE, ROHS, LM80
H6B Series [ ZGSM-GCD60H6B, ZGSM-GCD120H6B, ZGSM-GCD180H6B, ZGSM-GCD240H6B   ZGSM-FGD60H6B, ZGSM-FGD120H6B, ZGSM-FGD180H6B, ZGSM-FGD240H6B ]
CE, ROHS, LM80

### Variety applications

Bay light with short bracket



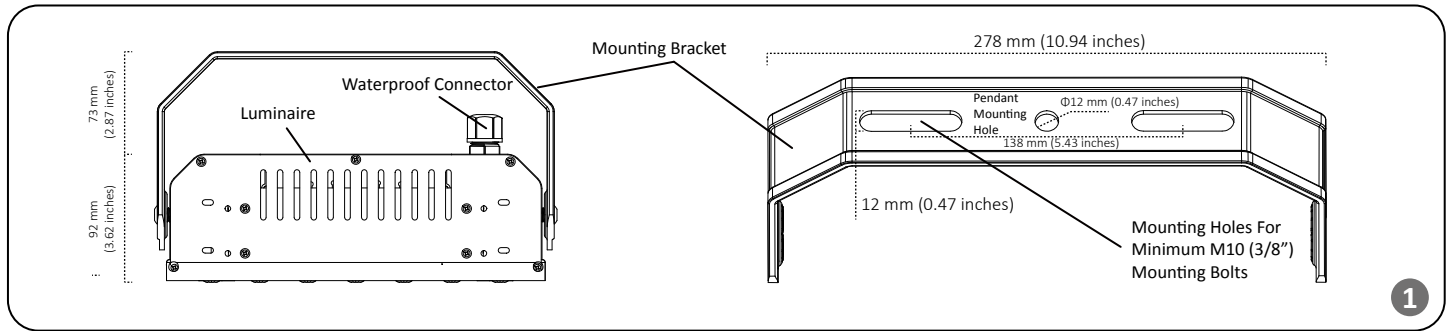
Flood light with long bracket



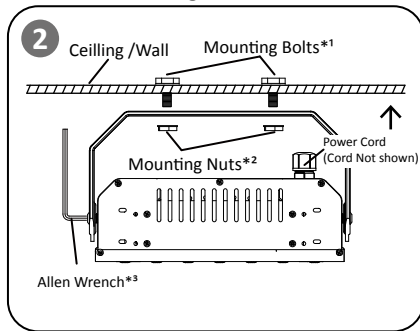


### Installation of Bay Light

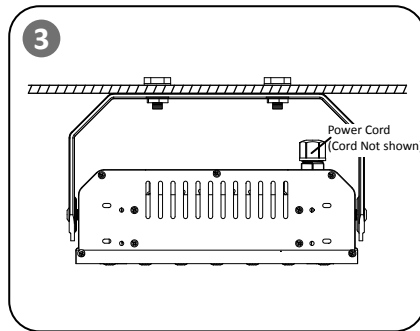
#### ★ Mounting Bracket



#### ★ Direct Mounting



\*1 Minimum M10 (3/8") Bolts (not-provided) \*2 Mounting Nuts are not provided \*3 Allen Wrench: 8mm (5/16")



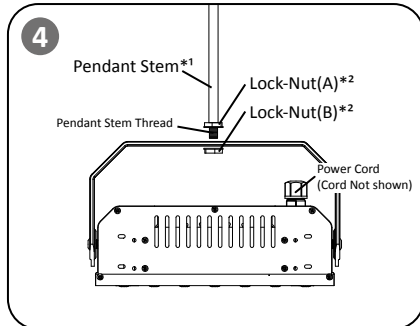
**STEP 1:** Assemble the mounting bracket to the fixture by provided M10 (3/8") round head screws.

**STEP 2:** Mount the fixture by two(2) minimum M10 (3/8") bolts. See image 2.

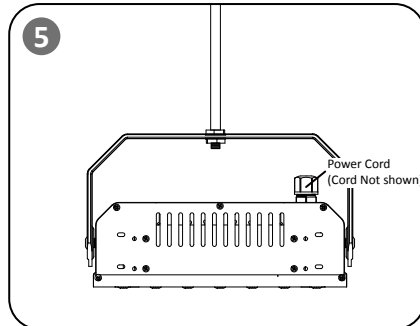
**STEP 3:** Loosen the mounting bracket screws, adjust the fixture to desired position, re-secure the screws.

**STEP 4:** Connect the **Power Cord** to the supply wiring per "**Electrical Connections**" section for completing electrical connections.

#### ★ Pendant Mounting



\*1 Pendant Stem can not be the soft material (not-provided) \*2 Lock Nuts are not provided



**STEP 1:** Assemble the mounting bracket to the fixture by provided M10 (3/8") round head screws.

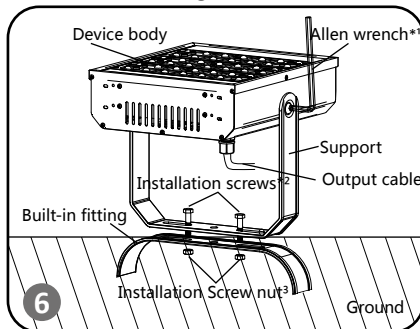
**STEP 2:** Attach Lock-Nut(A) to the bottom of the Pendant Stem. Attach Lock-Nut(B) by holding the interjacent Fixture Bracket and tightening Lock-Nut(B) until secure. See image 4.

**STEP 3:** Loosen the mounting bracket screws, adjust the fixture to desire position, re-secure the screws.

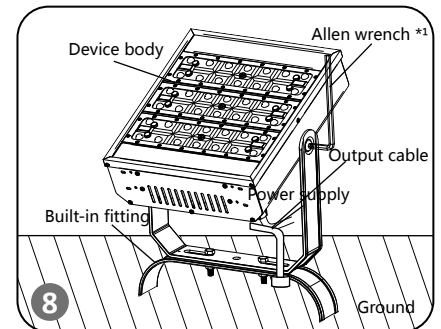
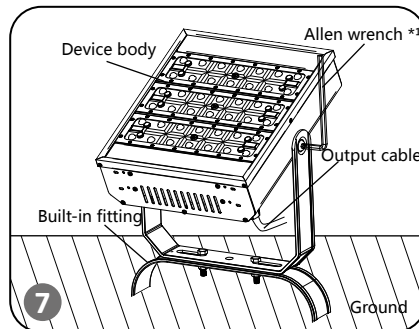
**STEP 4:** Connect the **Power Cord** to the supply wiring per "**Electrical Connections**" section for completing electrical connections.

### Installation of Flood Light

#### ★ Direct Mounting



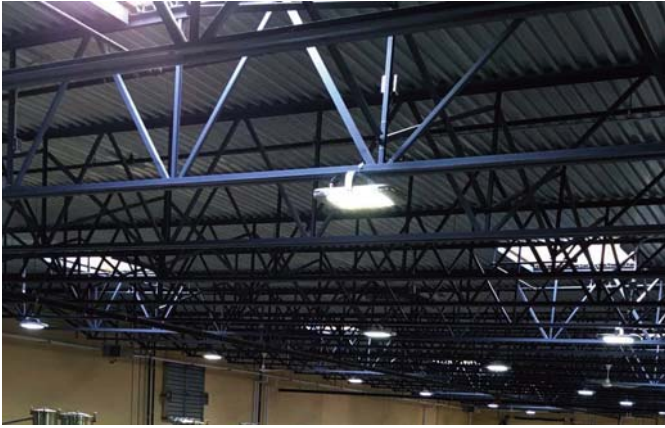
\*1 Allen wrench: 8mm(5/16") \*2 Minimum M10(3/8") screws (Not provided) \*3 Screw nuts (Not provided)



**STEP 1:** Use an Allen wrench to fix the body and the support (is not necessary to tighten the screws too hard). Align support and built-in fitting, tighten the screws as image 6.

**STEP 2:** Settle in the adequate angle position and use Allen screw to fix it as image 7.

**STEP 3:** Connect wire as image 8.



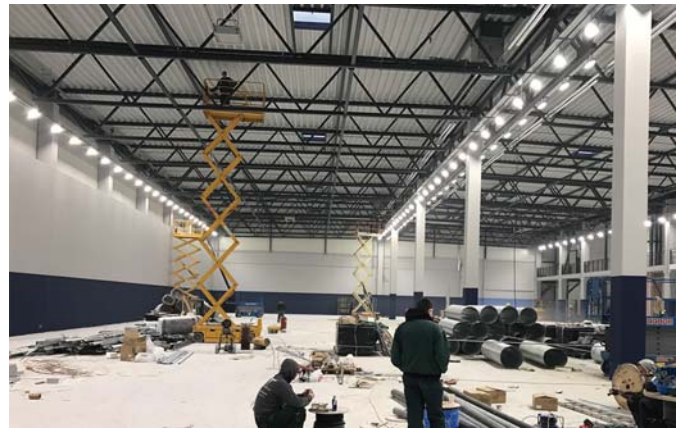
- for Low Bay Applications(Series-H), Canada



- for Low Bay Applications(Series-H), Spain



- for Low Bay Applications(Series-H), Italy



- for flood light Applications(Series-HB), Lithuania



- for flood light Applications(Series-HB), Czech Republic



- for flood light Applications(Series-HB), Dubai