

# LED STREET LIGHTS

## INSTALLATION INSTRUCTIONS

### IMPORTANT SAFEGUARDS

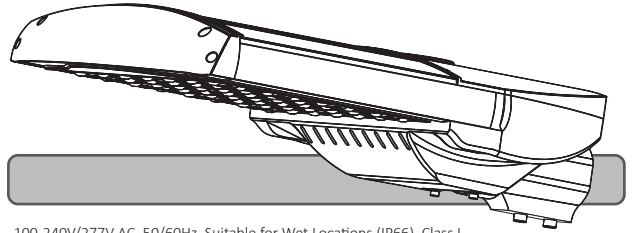
When using electrical equipment, basic safety precautions should always be followed including the following:

### READ AND FOLLOW ALL SAFETY INSTRUCTIONS

1. To avoid the possibility of electrical shock, turn off power supply before installation or servicing. Installation and servicing should be performed by qualified personnel.
2. When closing cover of fixture, be sure all wires are inside housing to avoid pinching wires.
3. If Photo Receptacle is installed refer to "Photo Control" section for instructions.
4. Product must be installed in accordance with your local electrical code. If you are not familiar with these codes and requirements, consult a qualified electrician.
5. Do not change the structure or any components of the fixture to ensure safety.

### SAVE THIS INSTRUCTIONS FOR FUTURE REFERENCE

### TO INSTALL:



100-240V/277V AC, 50/60Hz, Suitable for Wet Locations (IP66), Class I

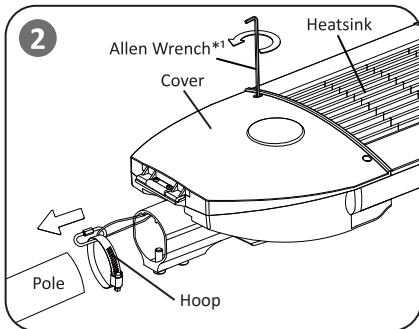
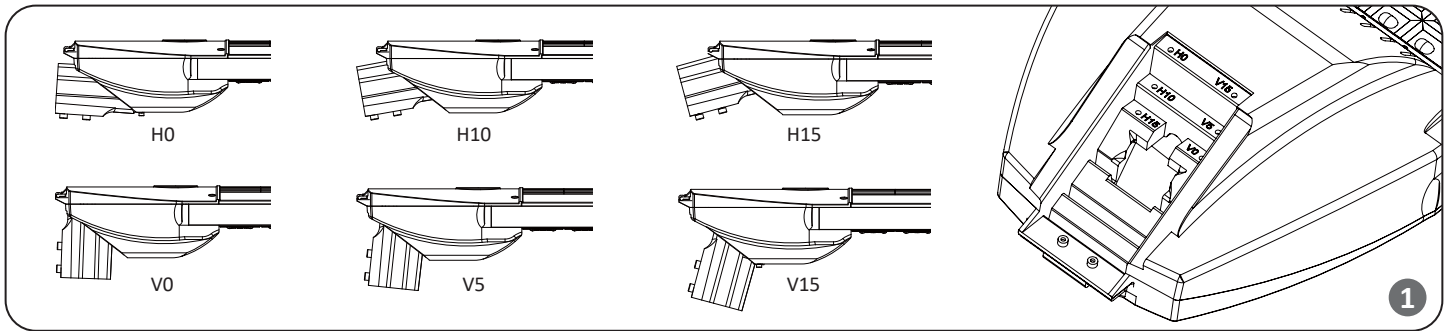
\*Only suit for outdoor use. Max installation height: 15M.

\*Normal operating position is on a mast arm or post top.

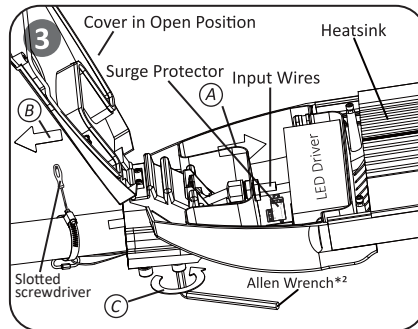
Pole fitter diameter:  $\Phi$  60mm (2.4") / \*48mm diameter need longer screws

\*This product must be grounding

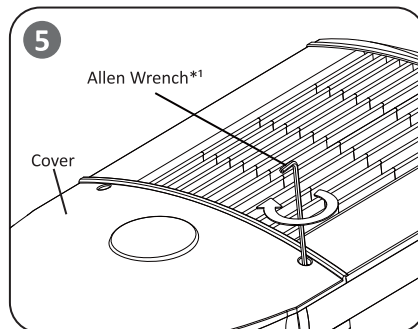
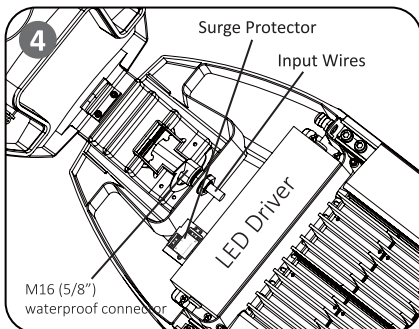
Power	Modules	Dimension	EPA	Weight
35W/40W/50W/60W	1	431 x316 x136 mm	0.16m <sup>2</sup>	5.3 kg
65W/80W/100W/120W	2	504 x316 x136 mm	0.19m <sup>2</sup>	6.1 kg
100W/120W/150W/180W	3	577 x316 x136 mm	0.22m <sup>2</sup>	7.3 kg
135W/160W/200W/240W	4	650 x316 x136 mm	0.25m <sup>2</sup>	8.2 kg
165W/200W/240W /300W	5	723 x316 x136 mm	0.27m <sup>2</sup>	9.0 kg
200W/240W	6	796 x316 x136 mm	0.30m <sup>2</sup>	9.9 kg
230W/280W	7	869 x316 x136 mm	0.33m <sup>2</sup>	10.8 kg



\*1 Allen Wrench: 4mm



\*2 Allen Wrench: 8mm



### STANDARD MOUNTING

#### STEP 1:

Adjust the multi-angle fitter (**0, 5, 15 degree vertical** and **0, 10, 15 degree horizontal**) to proper position by 8mm allen wrench.

#### STEP 2:

To open cover, hold fixture by heatsink with the light modules **facing down**. Remove 2 screws on the cover by 4mm allen wrench.

#### STEP 3:

Insert the pole and external power cord into the luminaire cavity and hoop of Anti-falling rope. Thread the power cord through the M16 wiring harness retainer. Reserve the related length of wire for connection. Once desired position is achieved, tighten (2) mounting bolts (**see C**). Recommended torque: 17Nm  $\pm$  1Nm.

#### STEP 4:

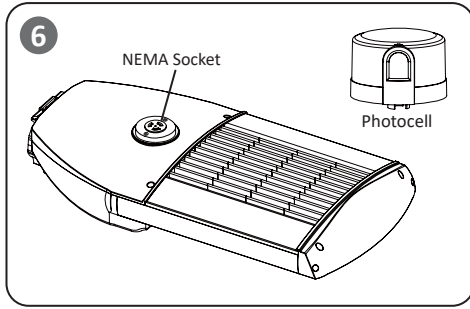
Connect the **Input Wires** into **Terminal Block**, Reference "Electrical Connections" section for completing electrical connections.

#### STEP 5:

Close the cover, tighten (2) mounting bolts.

## IMPORTANT

Check whether it concerns an AC(Alternating Current) based or DC(Direct Current) based system.



### PHOTOCELL (OPTIONAL)

If the fixture with PHOTOCELL function, the NEMA Socket will be installed on the cover of fixture. See 6. Fit the pins of Photocell to NEMA Socket, firmly insert and rotate Photocell to proper position.

<Verifying>

Make sure all the connections done and photocell is well installed on the fixture, switch on the power supply and cover the window of photocell, wait 5 seconds, the fixture will be turned on.

### ELECTRICAL CONNECTIONS - 100-240V/277V AC, 50/60Hz

### Class I BASED

#### STEP 1:

Make the following Electrical Connections:

- Connect **INPUT GROUND** conductor to “⊕” position of the surge protector or the female power turn off protector plug.
- Connect **INPUT VOLTAGE** conductor to “L” position of the surge protector or the female power turn off protector plug.
- Connect **INPUT NEUTRAL** conductor to “N” position of the surge protector or the female power turn off protector plug.

#### STEP 2:

Make sure all excess input wires are pushed into pole, screws are tightened.

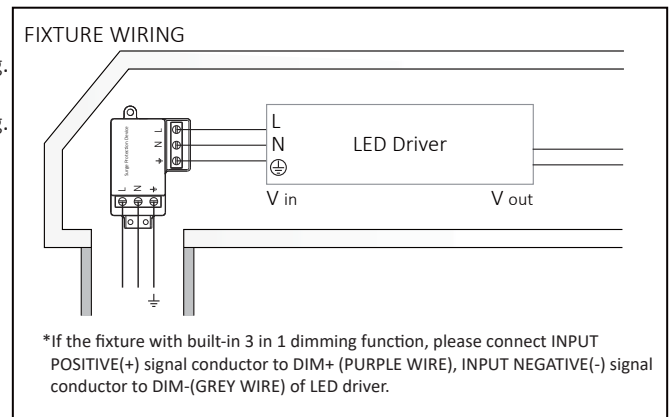
#### STEP 3:

Close cover by firmly pushing cover towards fixture, making sure that no wires are pinched and Sealing gasket are fully engaged.

#### STEP 4:

If the fixture without a surge protector, please insulate all electrical connections with wire nuts suitable for at least 90°C

Input cable should be at least H05RN-F 3x1.0mm<sup>2</sup>(SJTW 18AWG) or outdoor grade cable with rubber sheathed(not supplied). The cable must have a minimum cross sectional area of 1.0mm<sup>2</sup>(18AWG).



### ELECTRICAL CONNECTIONS - 100-240V/277V AC, 50/60Hz

### Class II BASED

#### STEP 1:

Make the following Electrical Connections:

- Connect **INPUT POSITIVE(+)** conductor to “L” position of the surge protector or the female power turn off protector plug.
- Connect **INPUT NEGATIVE(-)** conductor to “N” position of the surge protector or the female power turn off protector plug.

#### STEP 2:

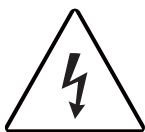
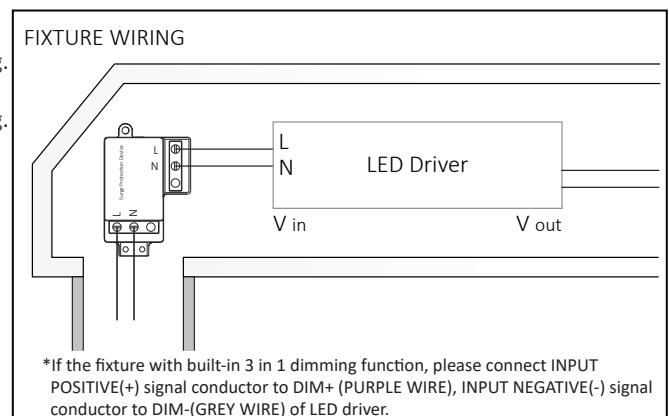
Make sure all excess input wires are pushed into pole, screws are tightened.

#### STEP 3:

Close cover by firmly pushing cover towards fixture, making sure that no wires are pinched and Sealing gasket are fully engaged.

#### STEP 4:

If the fixture without a surge protector, please insulate all electrical connections with wire nuts suitable for at least 90°C



The light source contained in this luminaire shall only be replaced by the manufacturer or his service agent or a similar qualified person.

**Caution, risk of electric shock**



This marking indicates that this product should not be disposed with other household wastes throughout the EU. To prevent possible harm to the environment or human health from uncontrolled waste disposal, recycle it responsibly to promote the sustainable reuse of material resources. To return your used device, please use the return and collection systems or contact the retailer where the product was purchased. They can take this product for environmental safe recycling.