

ZGSM-LD40H4

Introducing a New Premium Experience




Specifications

Electrical Specifications:

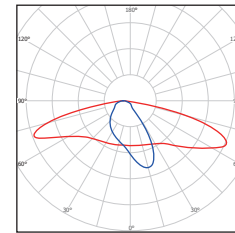
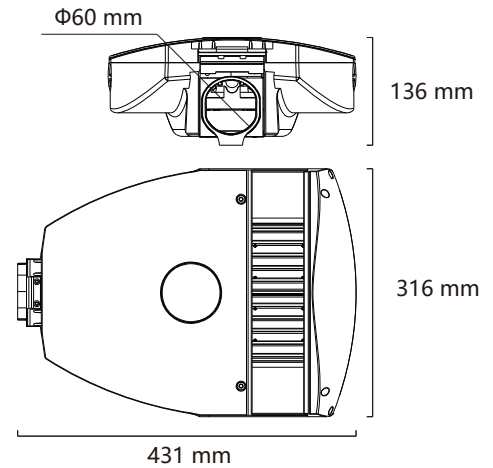
Model No.	ZGSM-LD40H4
Nominal Wattage	40W
Nominal Voltage	AC 100-240V / 277V, 50/60Hz/DC 12V / 24V
LED Brand	Philips Lumileds
Driver Brand	Meanwell / Inventronics Driver
Optional Function	OLC, NTC, StepDIM, 0(1)-10V, DALI
Operating Temperature	-40 °C to +50 °C
Power Factor (PF)	> 0.9
THD	< 20
Protection	Class I (Class II optional)
SPD	10KV (20KV optional)

Photometric Specifications:

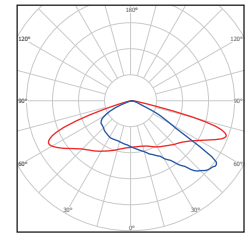
Lumen Output	3030: 5600 lm (±5%) 5050: 6600 lm (±5%)
Optic	TYPE I, TYPE II, TYPE II BLS, TYPE III, TYPE V
CRI	Ra ≥ 70 (80 optional)
CCT	

Mechanical Specifications:

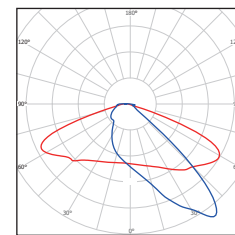
Ratings	IP66, IK10
Lifetime	> 100, 000 hours -L70, @25 °C (77 °F)
Body	Anodized Aluminum
Pole Fitter Diameter	60mm (50mm optional)
Lens	PC
Fixture Dimension	431 x 316 x 136 mm
Packing Dimension	480 x 370 x 200 mm
Fixture Weight	5.3 kg
Packing Weight	6.3 kg



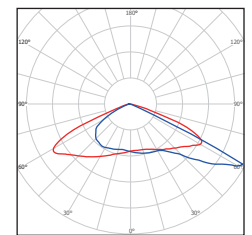
TYPE I



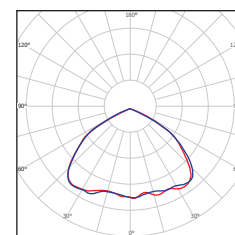
TYPE II



TYPE II BLS



TYPE III



TYPE V

Optional accessories:



Photocell



Shorting Cap



NEMA Socket
(3/5/7pin)



Motion Sensor



Smart Controller

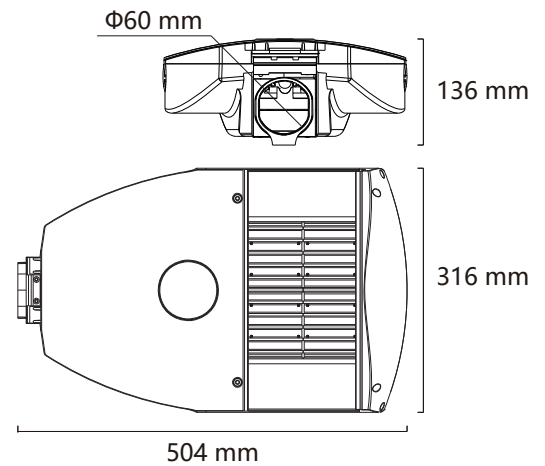


Adapters

ZGSM-LD80H4

Introducing a New Premium Experience

SAVE TODAY'S ENERGY FOR TOMORROW




Specifications

Electrical Specifications:

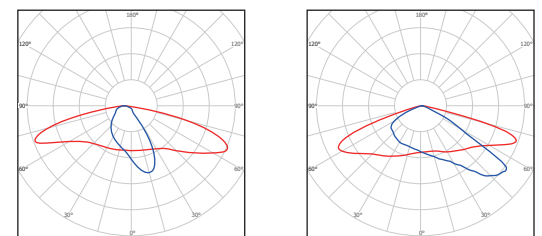
Model No.	ZGSM-LD80H4
Nominal Wattage	80W
Nominal Voltage	AC 100-240V /277V, 50/60Hz/DC 24V
LED Brand	Philips Lumileds
Driver Brand	Meanwell /Inventronics Driver
Optional Function	OLC, NTC, StepDIM, 0(1)-10V, DALI
Operating Temperature	-40 °C to +50 °C
Power Factor (PF)	> 0.9
THD	< 20
Protection	Class I (Class II optional)
SPD	10KV (20KV optional)

Photometric Specifications:

Lumen Output	3030: 11200 lm (±5%) 5050: 13200 lm (±5%)
Optic	TYPE I, TYPE II, TYPE II BLS, TYPE III, TYPE V
CRI	Ra ≥ 70 (80 optional)
CCT	

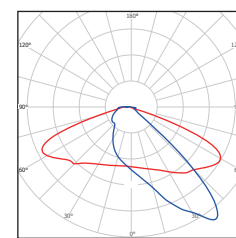
Mechanical Specifications:

Ratings	IP66, IK10
Lifetime	> 100, 000 hours -L70, @25 °C (77 °F)
Body	Anodized Aluminum
Pole Fitter Diameter	60mm (50mm optional)
Lens	PC
Fixture Dimension	504 x316 x136 mm
Packing Dimension	555 x370 x200 mm
Fixture Weight	6.1 kg
Packing Weight	7.3 kg

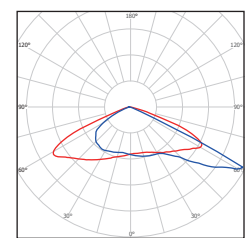


TYPE I

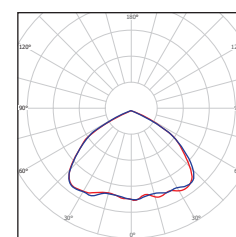
TYPE II



TYPE II BLS



TYPE III



TYPE V

Optional accessories:



Photocell



Shorting Cap



NEMA Socket
(3/5/7pin)



Motion Sensor



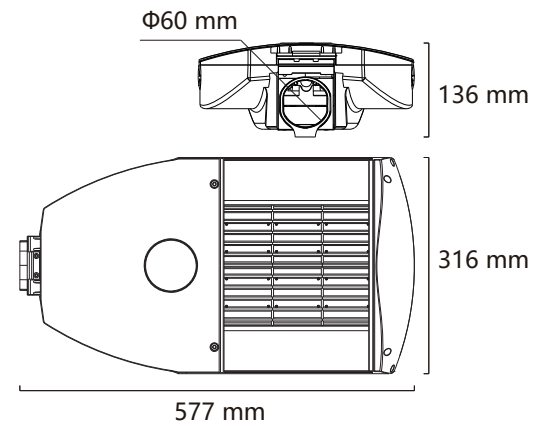
Smart Controller



Adapters

ZGSM-LD120H4

Introducing a New Premium Experience




Specifications

Electrical Specifications:

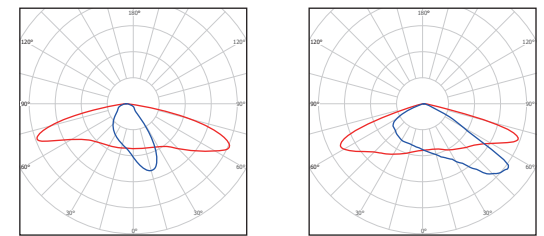
Model No.	ZGSM-LD120H4
Nominal Wattage	120W
Nominal Voltage	AC 100-240V / 277V, 50/60Hz/DC 24V
LED Brand	Philips Lumileds
Driver Brand	Meanwell / Inventronics Driver
Optional Function	OLC, NTC, StepDIM, 0(1)-10V, DALI
Operating Temperature	-40 °C to +50 °C
Power Factor (PF)	> 0.9
THD	< 20
Protection	Class I (Class II optional)
SPD	10KV (20KV optional)

Photometric Specifications:

Lumen Output	3030: 16800 lm (±5%) 5050: 19800 lm (±5%)
Optic	TYPE I, TYPE II, TYPE II BLS, TYPE III, TYPE V
CRI	Ra ≥ 70 (80 optional)
CCT	

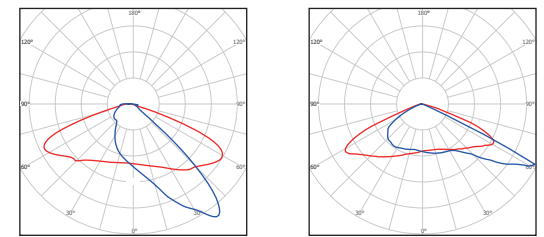
Mechanical Specifications:

Ratings	IP66, IK10
Lifetime	> 100, 000 hours -L70, @25 °C (77 °F)
Body	Anodized Aluminum
Pole Fitter Diameter	60mm (50mm optional)
Lens	PC
Fixture Dimension	577 x316 x136 mm
Packing Dimension	630 x370 x200 mm
Fixture Weight	7.3 kg
Packing Weight	8.6 kg



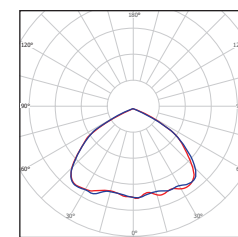
TYPE I

TYPE II



TYPE II BLS

TYPE III



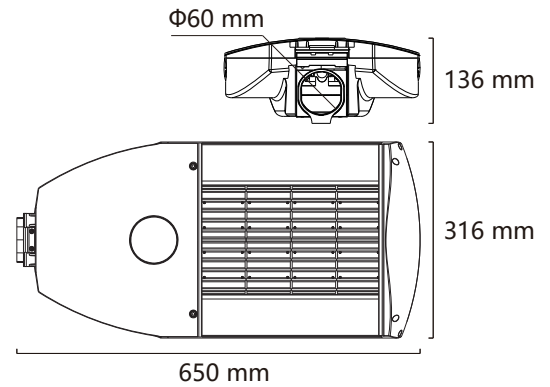
TYPE V

Optional accessories:



ZGSM-LD160H4

Introducing a New Premium Experience




Specifications

Electrical Specifications:

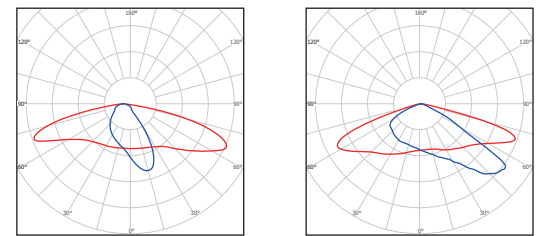
Model No.	ZGSM-LD160H4
Nominal Wattage	160W
Nominal Voltage	AC 100-240V / 277V, 50/60Hz/DC 24V
LED Brand	Philips Lumileds
Driver Brand	Meanwell / Inventronics Driver
Optional Function	OLC, NTC, StepDIM, 0(1)-10V, DALI
Operating Temperature	-40 °C to +50 °C
Power Factor (PF)	> 0.9
THD	< 20
Protection	Class I (Class II optional)
SPD	10KV (20KV optional)

Photometric Specifications:

Lumen Output	3030: 22400 lm (±5%) 5050: 26400 lm (±5%)
Optic	TYPE I, TYPE II, TYPE II BLS, TYPE III, TYPE V
CRI	Ra ≥ 70 (80 optional)
CCT	

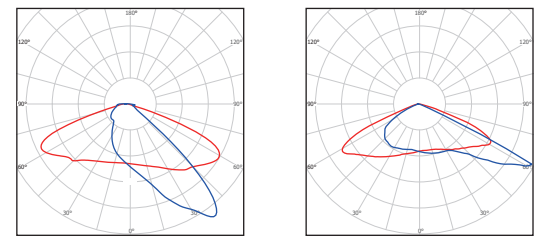
Mechanical Specifications:

Ratings	IP66, IK10
Lifetime	> 100, 000 hours -L70, @25 °C (77 °F)
Body	Anodized Aluminum
Pole Fitter Diameter	60mm (50mm optional)
Lens	PC
Fixture Dimension	650 x316 x136 mm
Packing Dimension	705 x370 x200 mm
Fixture Weight	8.2 kg
Packing Weight	9.6 kg



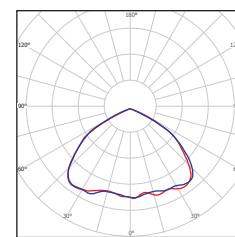
TYPE I

TYPE II



TYPE II BLS

TYPE III



TYPE V

Optional accessories:



Photocell

Shorting Cap

NEMA Socket
(3/5/7pin)

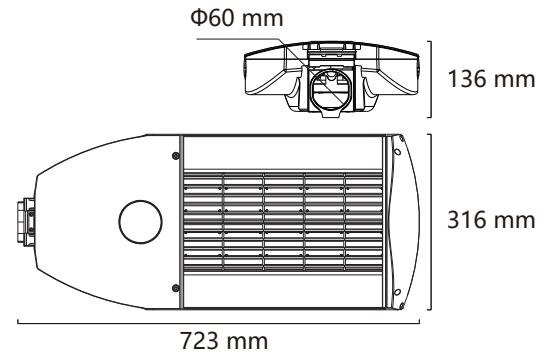
Motion Sensor

Smart Controller

Adapters

ZGSM-LD200H4

Introducing a New Premium Experience




Specifications

Electrical Specifications:

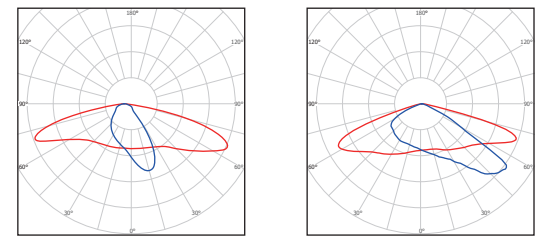
Model No.	ZGSM-LD200H4
Nominal Wattage	200W
Nominal Voltage	AC 100-240V / 277V, 50/60Hz/DC 24V
LED Brand	Philips Lumileds
Driver Brand	Meanwell / Inventronics Driver
Optional Function	OLC, NTC, StepDIM, 0(1)-10V, DALI
Operating Temperature	-40 °C to +50 °C
Power Factor (PF)	> 0.9
THD	< 20
Protection	Class I (Class II optional)
SPD	10KV (20KV optional)

Photometric Specifications:

Lumen Output	3030: 28000 lm (±5%) 5050: 33000 lm (±5%)
Optic	TYPE I, TYPE II, TYPE II BLS, TYPE III, TYPE V
CRI	Ra ≥ 70 (80 optional)
CCT	

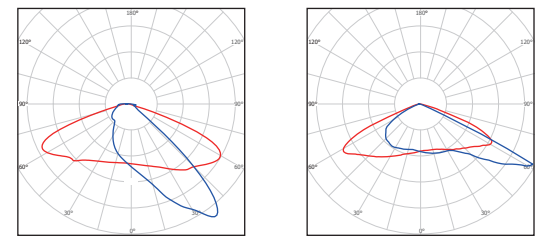
Mechanical Specifications:

Ratings	IP66, IK10
Lifetime	> 100, 000 hours -L70, @25 °C (77 °F)
Body	Anodized Aluminum
Pole Fitter Diameter	60mm (50mm optional)
Lens	PC
Fixture Dimension	723 x316 x136 mm
Packing Dimension	780 x370 x200 mm
Fixture Weight	9.0 kg
Packing Weight	10.6 kg



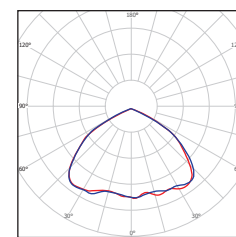
TYPE I

TYPE II



TYPE II BLS

TYPE III



TYPE V

Optional accessories:



ZGSM-LD50H5

Introducing a New Premium Experience




Specifications

Electrical Specifications:

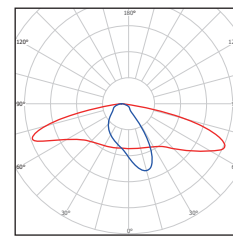
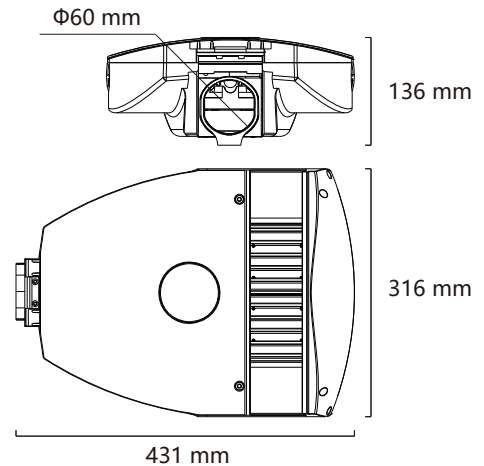
Model No.	ZGSM-LD50H5
Nominal Wattage	50W
Nominal Voltage	AC 100-240V /277V, 50/60Hz/DC 12V /24V
LED Brand	Philips Lumileds
Driver Brand	Meanwell /Inventronics Driver
Optional Function	OLC, NTC, StepDIM, 0(1)-10V, DALI
Operating Temperature	-40 °C to +50 °C
Power Factor (PF)	> 0.9
THD	< 20
Protection	Class I (Class II optional)
SPD	10KV (20KV optional)

Photometric Specifications:

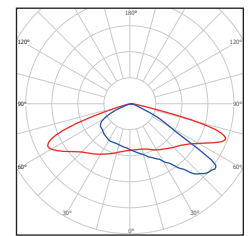
Lumen Output	3030: 6500 lm (±5%) 5050: 8000 lm (±5%)
Optic	TYPE I, TYPE II, TYPE II BLS, TYPE III, TYPE V
CRI	Ra ≥ 70 (80 optional)
CCT	

Mechanical Specifications:

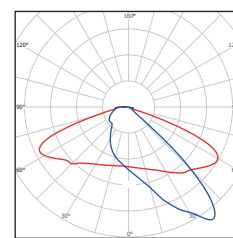
Ratings	IP66, IK10
Lifetime	> 100, 000 hours -L70, @25 °C (77 °F)
Body	Anodized Aluminum
Pole Fitter Diameter	60mm (50mm optional)
Lens	PC
Fixture Dimension	431 x316 x136 mm
Packing Dimension	480 x370 x200 mm
Fixture Weight	5.3 kg
Packing Weight	6.3 kg



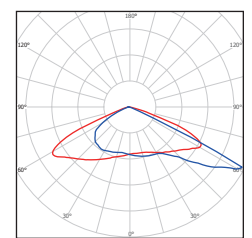
TYPE I



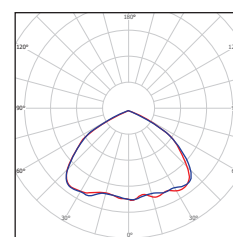
TYPE II



TYPE II BLS



TYPE III



TYPE V

Optional accessories:



Photocell



Shorting Cap



NEMA Socket
(3/5/7pin)



Motion Sensor



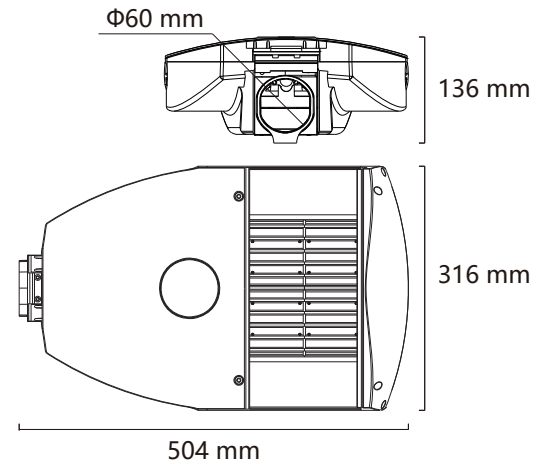
Smart Controller



Adapters

ZGSM-LD100H5

Introducing a New Premium Experience




Specifications

Electrical Specifications:

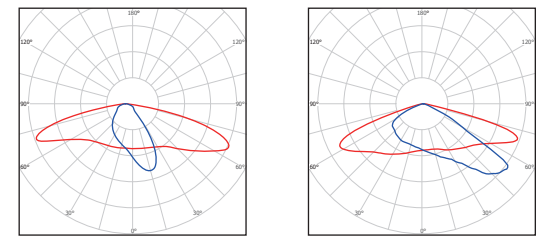
Model No.	ZGSM-LD100H5
Nominal Wattage	100W
Nominal Voltage	AC 100-240V /277V, 50/60Hz/DC 24V
LED Brand	Philips Lumileds
Driver Brand	Meanwell /Inventronics Driver
Optional Function	OLC, NTC, StepDIM, 0(1)-10V, DALI
Operating Temperature	-40 °C to +50 °C
Power Factor (PF)	> 0.9
THD	< 20
Protection	Class I (Class II optional)
SPD	10KV (20KV optional)

Photometric Specifications:

Lumen Output	3030: 13000 lm (±5%) 5050: 16000 lm (±5%)
Optic	TYPE I, TYPE II, TYPE II BLS, TYPE III, TYPE V
CRI	Ra ≥ 70 (80 optional)
CCT	

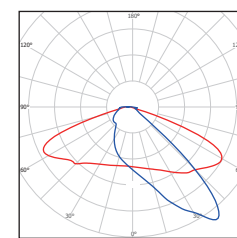
Mechanical Specifications:

Ratings	IP66, IK10
Lifetime	> 100, 000 hours -L70, @25 °C (77 °F)
Body	Anodized Aluminum
Pole Fitter Diameter	60mm (50mm optional)
Lens	PC
Fixture Dimension	504 x316 x136 mm
Packing Dimension	555 x370 x200 mm
Fixture Weight	6.1 kg
Packing Weight	7.3 kg

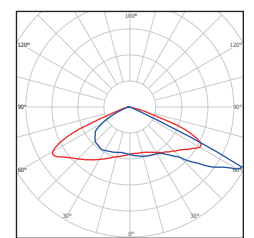


TYPE I

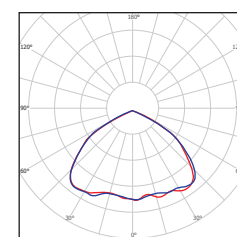
TYPE II



TYPE II BLS



TYPE III



TYPE V

Optional accessories:



Photocell

Shorting Cap

NEMA Socket (3/5/7pin)

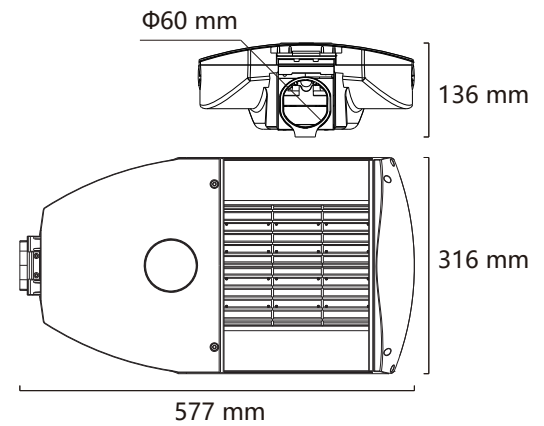
Motion Sensor

Smart Controller

Adapters

ZGSM-LD150H5

Introducing a New Premium Experience




Specifications

Electrical Specifications:

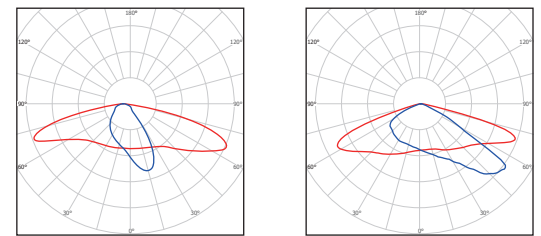
Model No.	ZGSM-LD150H5
Nominal Wattage	150W
Nominal Voltage	AC 100-240V / 277V, 50/60Hz/DC 24V
LED Brand	Philips Lumileds
Driver Brand	Meanwell / Inventronics Driver
Optional Function	OLC, NTC, StepDIM, 0(1)-10V, DALI
Operating Temperature	-40 °C to +50 °C
Power Factor (PF)	> 0.9
THD	< 20
Protection	Class I (Class II optional)
SPD	10KV (20KV optional)

Photometric Specifications:

Lumen Output	3030: 19500 lm (±5%) 5050: 24000 lm (±5%)
Optic	TYPE I, TYPE II, TYPE II BLS, TYPE III, TYPE V
CRI	Ra ≥ 70 (80 optional)
CCT	

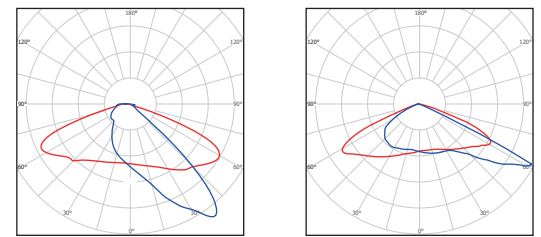
Mechanical Specifications:

Ratings	IP66, IK10
Lifetime	> 100,000 hours -L70, @25 °C (77 °F)
Body	Anodized Aluminum
Pole Fitter Diameter	60mm (50mm optional)
Lens	PC
Fixture Dimension	577 x 316 x 136 mm
Packing Dimension	630 x 370 x 200 mm
Fixture Weight	7.3 kg
Packing Weight	8.6 kg



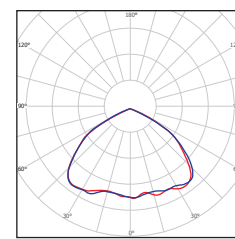
TYPE I

TYPE II



TYPE II BLS

TYPE III



TYPE V

Optional accessories:



Photocell

Shorting Cap

NEMA Socket
(3/5/7pin)

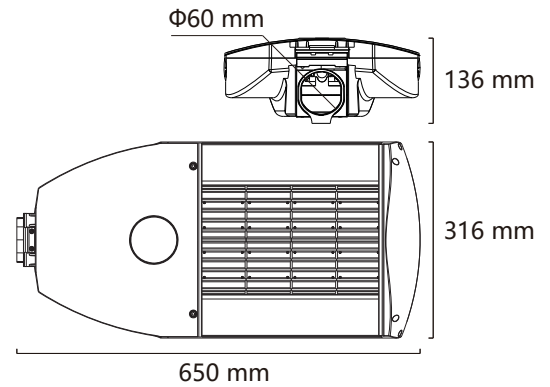
Motion Sensor

Smart Controller

Adapters

ZGSM-LD200H5

Introducing a New Premium Experience




Specifications

Electrical Specifications:

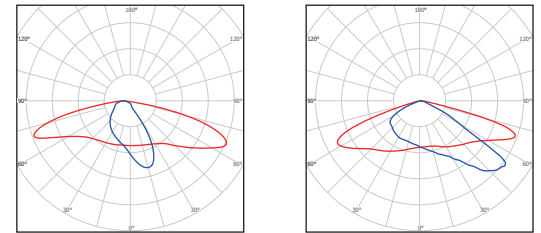
Model No.	ZGSM-LD200H5
Nominal Wattage	200W
Nominal Voltage	AC 100-240V / 277V, 50/60Hz/DC 24V
LED Brand	Philips Lumileds
Driver Brand	Meanwell / Inventronics Driver
Optional Function	OLC, NTC, StepDIM, 0(1)-10V, DALI
Operating Temperature	-40 °C to +50 °C
Power Factor (PF)	> 0.9
THD	< 20
Protection	Class I (Class II optional)
SPD	10KV (20KV optional)

Photometric Specifications:

Lumen Output	3030: 26000 lm (±5%) 5050: 32000 lm (±5%)
Optic	TYPE I, TYPE II, TYPE II BLS, TYPE III, TYPE V
CRI	Ra ≥ 70 (80 optional)
CCT	

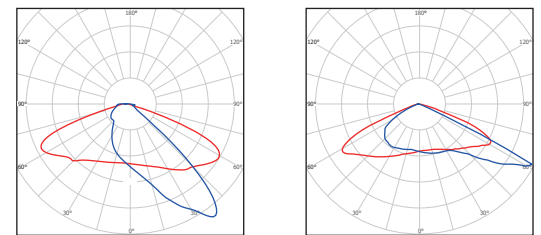
Mechanical Specifications:

Ratings	IP66, IK10
Lifetime	> 100,000 hours -L70, @25 °C (77 °F)
Body	Anodized Aluminum
Pole Fitter Diameter	60mm (50mm optional)
Lens	PC
Fixture Dimension	650 x 316 x 136 mm
Packing Dimension	705 x 370 x 200 mm
Fixture Weight	8.2 kg
Packing Weight	9.6 kg



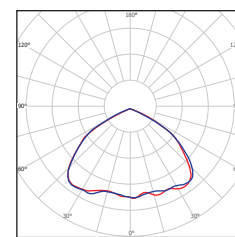
TYPE I

TYPE II



TYPE II BLS

TYPE III



TYPE V

Optional accessories:



Photocell

Shorting Cap

NEMA Socket
(3/5/7pin)

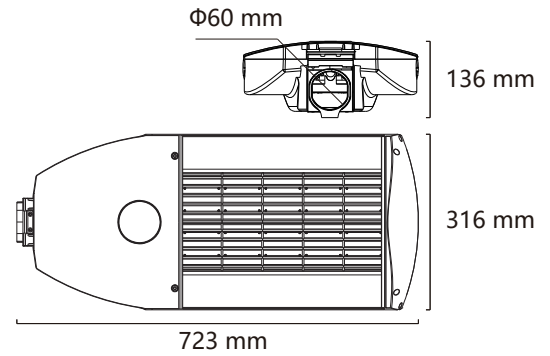
Motion Sensor

Smart Controller

Adapters

ZGSM-LD240H5

Introducing a New Premium Experience




Specifications

Electrical Specifications:

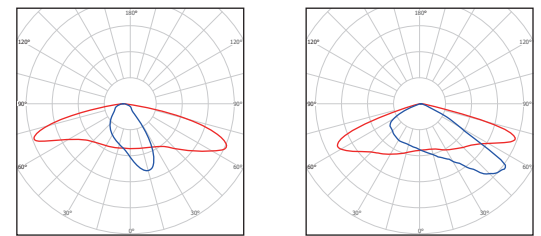
Model No.	ZGSM-LD240H5
Nominal Wattage	240W
Nominal Voltage	AC 100-240V / 277V, 50/60Hz
LED Brand	Philips Lumileds
Driver Brand	Meanwell / Inventronics Driver
Optional Function	OLC, NTC, StepDIM, 0(1)-10V, DALI
Operating Temperature	-40 °C to +50 °C
Power Factor (PF)	> 0.9
THD	< 20
Protection	Class I (Class II optional)
SPD	10KV (20KV optional)

Photometric Specifications:

Lumen Output	3030: 31200 lm (±5%) 5050: 38400 lm (±5%)
Optic	TYPE I, TYPE II, TYPE II BLS, TYPE III, TYPE V
CRI	Ra ≥ 70 (80 optional)
CCT	

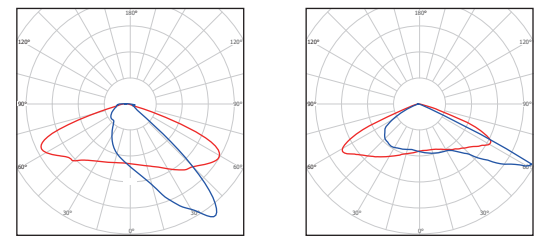
Mechanical Specifications:

Ratings	IP66, IK10
Lifetime	> 100,000 hours -L70, @25 °C (77 °F)
Body	Anodized Aluminum
Pole Fitter Diameter	60mm (50mm optional)
Lens	PC
Fixture Dimension	723 x 316 x 136 mm
Packing Dimension	780 x 370 x 200 mm
Fixture Weight	9.0 kg
Packing Weight	10.6 kg



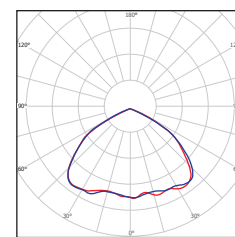
TYPE I

TYPE II



TYPE II BLS

TYPE III



TYPE V

Optional accessories:



ZGSM-LD60H6

Introducing a New Premium Experience




Specifications

Electrical Specifications:

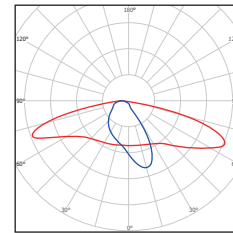
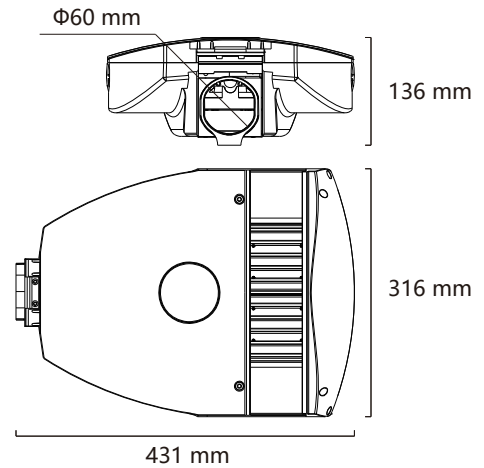
Model No.	ZGSM-LD60H6
Nominal Wattage	60W
Nominal Voltage	AC 100-240V /277V, 50/60Hz/DC 24V
LED Brand	Philips Lumileds
Driver Brand	Meanwell /Inventronics Driver
Optional Function	OLC, NTC, StepDIM, 0(1)-10V, DALI
Operating Temperature	-40 °C to +50 °C
Power Factor (PF)	> 0.9
THD	< 20
Protection	Class I (Class II optional)
SPD	10KV (20KV optional)

Photometric Specifications:

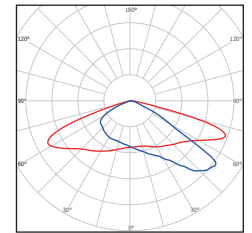
Lumen Output	3030: 7500 lm (±5%) 5050: 9300 lm (±5%)
Optic	TYPE I, TYPE II, TYPE II BLS, TYPE III, TYPE V
CRI	Ra ≥ 70 (80 optional)
CCT	

Mechanical Specifications:

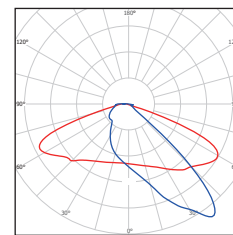
Ratings	IP66, IK10
Lifetime	> 100, 000 hours -L70, @25 °C (77 °F)
Body	Anodized Aluminum
Pole Fitter Diameter	60mm (50mm optional)
Lens	PC
Fixture Dimension	431 x316 x136 mm
Packing Dimension	480 x370 x200 mm
Fixture Weight	5.3 kg
Packing Weight	6.3 kg



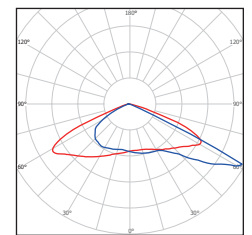
TYPE I



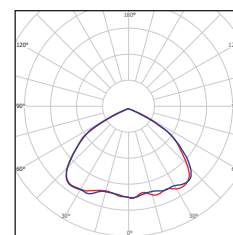
TYPE II



TYPE II BLS



TYPE III



TYPE V

Optional accessories:



Photocell



Shorting Cap



NEMA Socket
(3/5/7pin)



Motion Sensor



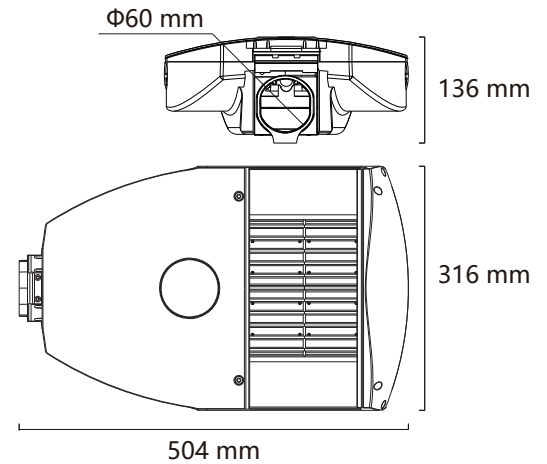
Smart Controller



Adapters

ZGSM-LD120H6

Introducing a New Premium Experience



Specifications

Electrical Specifications:

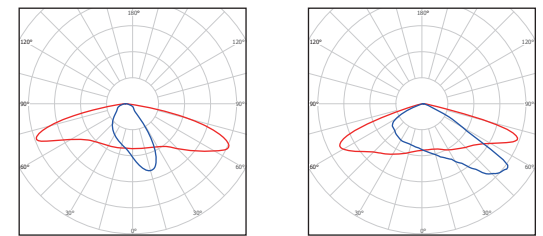
Model No.	ZGSM-LD120H6
Nominal Wattage	120W
Nominal Voltage	AC 100-240V / 277V, 50/60Hz/DC 24V
LED Brand	Philips Lumileds
Driver Brand	Meanwell / Inventronics Driver
Optional Function	OLC, NTC, StepDIM, 0(1)-10V, DALI
Operating Temperature	-40 °C to +50 °C
Power Factor (PF)	> 0.9
THD	< 20
Protection	Class I (Class II optional)
SPD	10KV (20KV optional)

Photometric Specifications:

Lumen Output	3030: 15000 lm (±5%) 5050: 18600 lm (±5%)
Optic	TYPE I, TYPE II, TYPE II BLS, TYPE III, TYPE V
CRI	Ra ≥ 70 (80 optional)
CCT	2700 3000 4000 5000 5700 6500

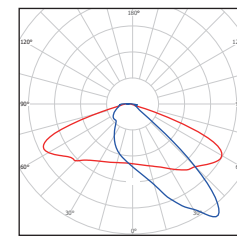
Mechanical Specifications:

Ratings	IP66, IK10
Lifetime	> 100, 000 hours -L70, @25 °C (77 °F)
Body	Anodized Aluminum
Pole Fitter Diameter	60mm (50mm optional)
Lens	PC
Fixture Dimension	504 x 316 x 136 mm
Packing Dimension	555 x 370 x 200 mm
Fixture Weight	6.1 kg
Packing Weight	7.3 kg

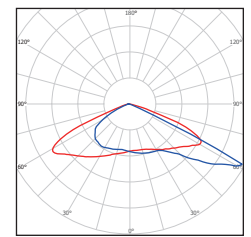


TYPE I

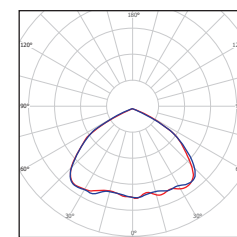
TYPE II



TYPE II BLS



TYPE III



TYPE V

Optional accessories:



Photocell



Shorting Cap



NEMA Socket
(3/5/7pin)



Motion Sensor



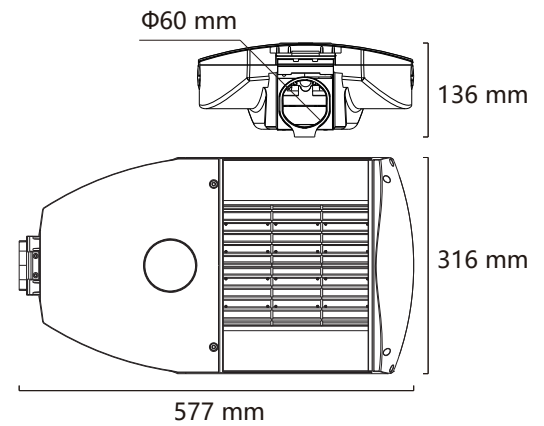
Smart Controller



Adapters

ZGSM-LD180H6

Introducing a New Premium Experience




Specifications

Electrical Specifications:

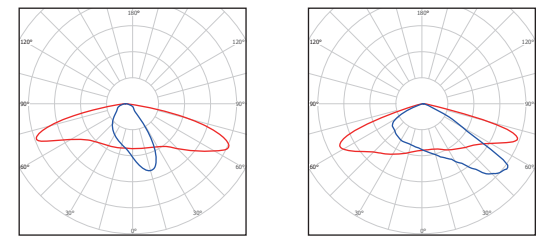
Model No.	ZGSM-LD180H6
Nominal Wattage	180W
Nominal Voltage	AC 100-240V /277V, 50/60Hz/DC 24V
LED Brand	Philips Lumileds
Driver Brand	Meanwell /Inventronics Driver
Optional Function	OLC, NTC, StepDIM, 0(1)-10V, DALI
Operating Temperature	-40 °C to +50 °C
Power Factor (PF)	> 0.9
THD	< 20
Protection	Class I (Class II optional)
SPD	10KV (20KV optional)

Photometric Specifications:

Lumen Output	3030: 22500 lm (±5%) 5050: 27900 lm (±5%)
Optic	TYPE I, TYPE II, TYPE II BLS, TYPE III, TYPE V
CRI	Ra ≥ 70 (80 optional)
CCT	

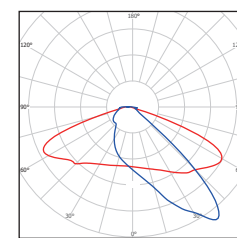
Mechanical Specifications:

Ratings	IP66, IK10
Lifetime	> 100, 000 hours -L70, @25 °C (77 °F)
Body	Anodized Aluminum
Pole Fitter Diameter	60mm (50mm optional)
Lens	PC
Fixture Dimension	577 x316 x136 mm
Packing Dimension	630 x370 x200 mm
Fixture Weight	7.3 kg
Packing Weight	8.6 kg

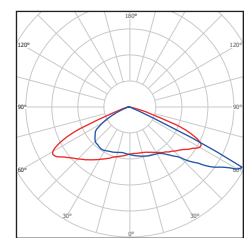


TYPE I

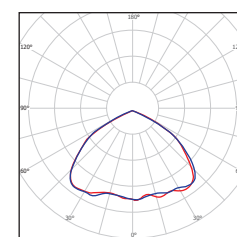
TYPE II



TYPE II BLS



TYPE III



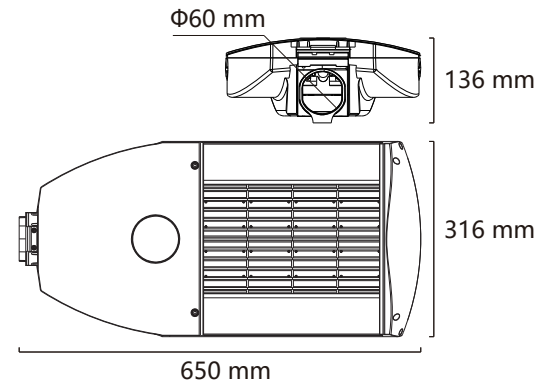
TYPE V

Optional accessories:



ZGSM-LD240H6

Introducing a New Premium Experience



Specifications

Electrical Specifications:

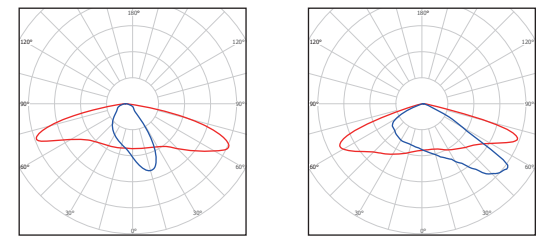
Model No.	ZGSM-LD240H6
Nominal Wattage	240W
Nominal Voltage	AC 100-240V /277V, 50/60Hz
LED Brand	Philips Lumileds
Driver Brand	Meanwell /Inventronics Driver
Optional Function	OLC, NTC, StepDIM, 0(1)-10V, DALI
Operating Temperature	-40 °C to +50 °C
Power Factor (PF)	> 0.9
THD	< 20
Protection	Class I (Class II optional)
SPD	10KV (20KV optional)

Photometric Specifications:

Lumen Output	3030: 30000 lm (±5%) 5050: 37200 lm (±5%)
Optic	TYPE I, TYPE II, TYPE II BLS, TYPE III, TYPE V
CRI	Ra ≥ 70 (80 optional)
CCT	2700 3000 4000 5000 5700 6500

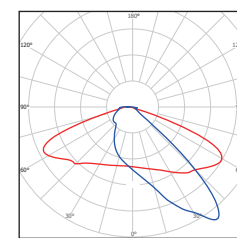
Mechanical Specifications:

Ratings	IP66, IK10
Lifetime	> 100, 000 hours -L70, @25 °C (77 °F)
Body	Anodized Aluminum
Pole Fitter Diameter	60mm (50mm optional)
Lens	PC
Fixture Dimension	650 x316 x136 mm
Packing Dimension	705 x370 x200 mm
Fixture Weight	8.2 kg
Packing Weight	9.6 kg

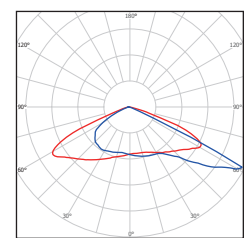


TYPE I

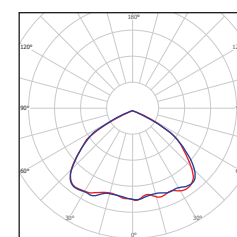
TYPE II



TYPE II BLS



TYPE III



TYPE V

Optional accessories:



Photocell



Shorting Cap



NEMA Socket
(3/5/7pin)



Motion Sensor



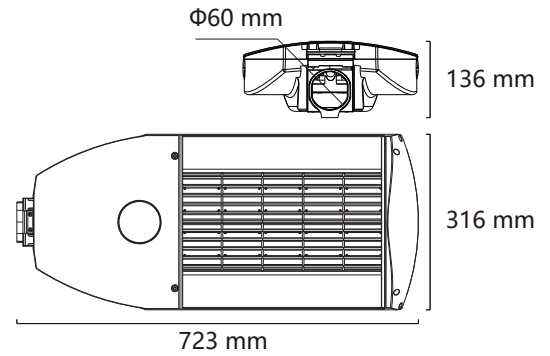
Smart Controller



Adapters

ZGSM-LD300H6

Introducing a New Premium Experience



Specifications

Electrical Specifications:

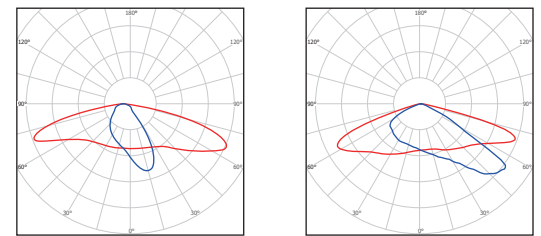
Model No.	ZGSM-LD300H6
Nominal Wattage	300W
Nominal Voltage	AC 100-240V / 277V, 50/60Hz
LED Brand	Philips Lumileds
Driver Brand	Meanwell / Inventronics Driver
Optional Function	OLC, NTC, StepDIM, 0(1)-10V, DALI
Operating Temperature	-40 °C to +50 °C
Power Factor (PF)	> 0.9
THD	< 20
Protection	Class I (Class II optional)
SPD	10KV (20KV optional)

Photometric Specifications:

Lumen Output	3030: 37500 lm (±5%) 5050: 46500 lm (±5%)
Optic	TYPE I, TYPE II, TYPE II BLS, TYPE III, TYPE V
CRI	Ra ≥ 70 (80 optional)
CCT	2700 3000 4000 5000 5700 6500

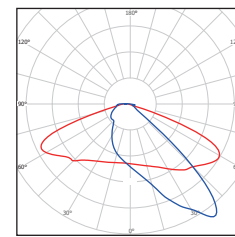
Mechanical Specifications:

Ratings	IP66, IK10
Lifetime	> 100,000 hours -L70, @25 °C (77 °F)
Body	Anodized Aluminum
Pole Fitter Diameter	60mm (50mm optional)
Lens	PC
Fixture Dimension	723 x316 x136 mm
Packing Dimension	780 x370 x200 mm
Fixture Weight	9.0 kg
Packing Weight	10.6 kg

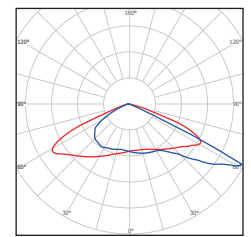


TYPE I

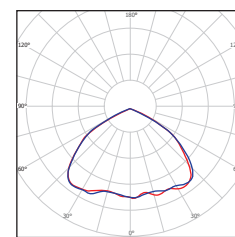
TYPE II



TYPE II BLS



TYPE III



TYPE V

Optional accessories:



Photocell

Shorting Cap

NEMA Socket (3/5/7pin)

Motion Sensor

Smart Controller

Adapters