

H-SERIES



SAVE TODAY'S ENERGY FOR TOMORROW



LED CANOPY LIGHTS



Overview

The ZGSM® H-Series LED canopy lights are using PHILIPS LUMILEDS® luminous source, providing excellent lumen output, long-lasting stability and splendid sight.

The ZGSM H-Series LED canopy lights have a high luminous efficiency and better service life. Provide 7 years warranty on luminaire.

Color Options

● Silver Gray

HIGH-EFFICACY LED LIGHT SOURCE



Philips Lumileds Luxeon TX
Greater than 135lm/W high efficacy, illumination grade LED light source.



Philips Lumileds 3030 2D
Greater than 150lm/W high efficacy, illumination grade LED light source.



Philips Lumileds 5050
Greater than 185lm/W high efficacy, illumination grade LED light source.

HIGH-END LED DRIVER (Two options)

+ NON-DIMMABLE



High-end Mean Well HLG Series LED driver, optimal stability, performance and lifespan.

+ DIMMABLE

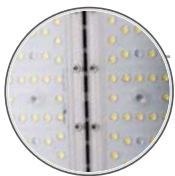
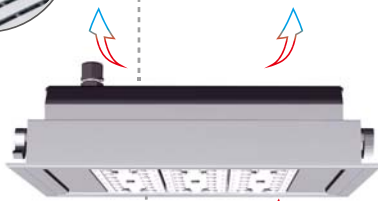


High-end Inventronics programmable LED driver, integrate dimming function and 6KV /10KV surge protection. Provide excellent performance and lifespan.

AIR CONVECTION EFFECT

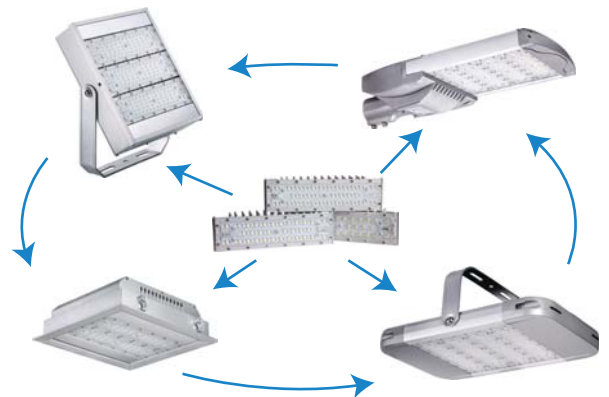


Reasonable heat sink design, not only keep ventilation but also avoid laceration.

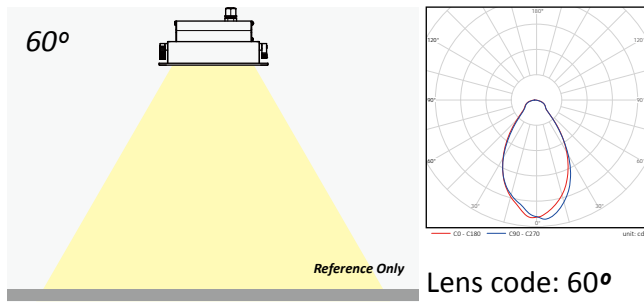


Gaps between each module increase heat dissipation speed and solve the problem of dust deposition.

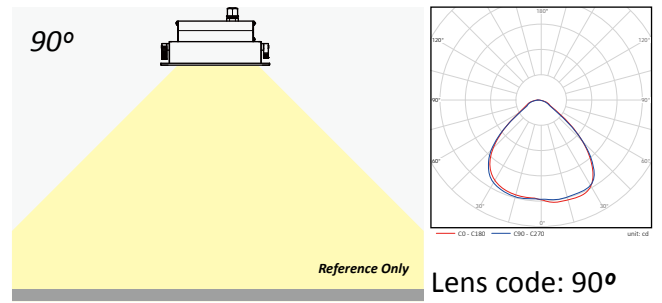
FLEXIBLE COMBINATIONS OF MODULES



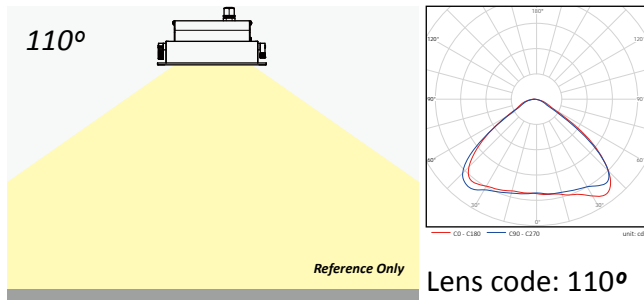
Optics



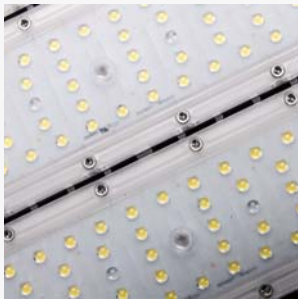
Applications:
Shelf Aisle | High Hall | High Workshop



Applications:
Warehouse | Workshop



Applications:
Warehouse | Workshop | Gas Station



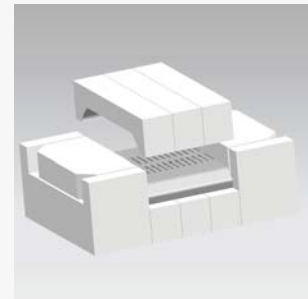
Professional lens design with 60°, 90° and 110° optional.



Use M16 waterproof connector, avoid hard power damage.



The exquisite and innovated frame holder not only makes the installation more simple but also firmer.



A special tailor-made packaging designed to guarantee the highest protection of the lamp.



Use waterproof connector for internal wiring, safe, convenient & fast.



Innovative pluggable connector, clean & efficient.



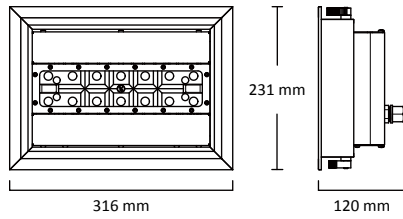
Convenient & fast installation.



With a non-corrosive material, not only exquisite appearance, but also no corrosion concerns.

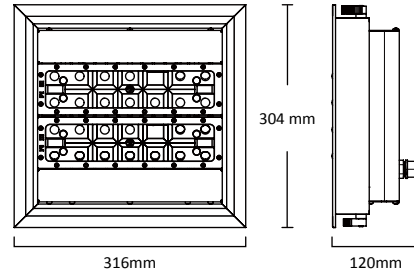
DETAILED FEATURES

Dimension



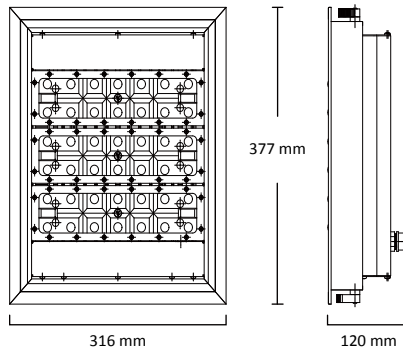
316 mm
Ceiling Thickness: 10 - 25 mm
Hole Size: 202 x 285 mm

1 module



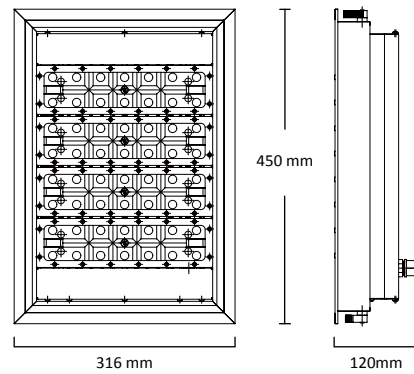
316mm
Ceiling Thickness: 10 - 25 mm
Hole Size: 275 x 285 mm

2 modules



316 mm
Ceiling Thickness: 10 - 25 mm
Hole Size: 348 x 285 mm

3 modules



316 mm
Ceiling Thickness: 10 - 25 mm
Hole Size: 421 x 285 mm

4 modules

Electrical & Photometric

★ 3030 Version

Number of Modules	Model	LED Working Current	Power	Luminaire Efficacy (+/- 5%)	Lumen Output (+/- 5%)	Input Voltage	LED Brand	Driver Brand	Light Distributions	CCT (K)	Lifetime (h)
1	ZGSM-QD40H4	95mA	40W	140 lm /w	5600 lm	100-240V /277V AC 50 /60Hz	Philips Lumileds 3030 2D	MeanWell Inventronics	60° 90° 110°	3000* 4000 5000 5700	>100,000 (L70)
	ZGSM-QD50H5	115mA	50W	130 lm /w	6500 lm						
	ZGSM-QD60H6	145mA	60W	125 lm /w	7500 lm						
2	ZGSM-QD80H4	100mA	80W	140 lm /w	11200 lm						
	ZGSM-QD100H5	120mA	100W	130 lm /w	13000 lm						
	ZGSM-QD120H6	145mA	120W	125 lm /w	15000 lm						
3	ZGSM-QD120H4	100mA	120W	140 lm /w	16800 lm						
	ZGSM-QD150H5	120mA	150W	130 lm /w	19500 lm						
	ZGSM-QD180H6	145mA	180W	125 lm /w	22500 lm						
4	ZGSM-QD160H4	100mA	160W	140 lm /w	22400 lm						
	ZGSM-QD200H5	120mA	200W	130 lm /w	26000 lm						
	ZGSM-QD240H6	145mA	240W	125 lm /w	30000 lm						

*Luminous Efficacy of 3000K is 5% lower than other CCTs.

★ 5050 Version

Number of Modules	Model	LED Working Current	Power	Luminaire Efficacy (+/- 5%)	Lumen Output (+/- 5%)	Input Voltage	LED Brand	Driver Brand	Light Distributions	CCT (K)	Lifetime (h)
1	ZGSM-QD40H4	48mA	40W	165 lm /w	6600 lm	100-240V /277V AC 50 /60Hz	Philips Lumileds 5050	MeanWell Inventronics	110°	3000* 4000 5000 5700	>100,000 (L70)
	ZGSM-QD50H5	59mA	50W	160 lm /w	8000 lm						
	ZGSM-QD60H6	75mA	60W	155 lm /w	9300 lm						
2	ZGSM-QD80H4	50mA	80W	165 lm /w	13200 lm						
	ZGSM-QD100H5	61mA	100W	160 lm /w	16000 lm						
	ZGSM-QD120H6	75mA	120W	155 lm /w	18600 lm						
3	ZGSM-QD120H4	50mA	120W	165 lm /w	19800 lm						
	ZGSM-QD150H5	58mA	150W	160 lm /w	24000 lm						
	ZGSM-QD180H6	75mA	180W	155 lm /w	27900 lm						
4	ZGSM-QD160H4	50mA	160W	165 lm /w	26400 lm						
	ZGSM-QD200H5	58mA	200W	160 lm /w	32000 lm						
	ZGSM-QD240H6	75mA	240W	155 lm /w	37200 lm						

*Luminous Efficacy of 3000K is 5% lower than other CCTs.

★ 3535 Version

Number of Modules	Model	LED Working Current	Power	Luminaire Efficacy (+/- 5%)	Lumen Output (+/- 5%)	Input Voltage	LED Brand	Driver Brand	Light Distributions	CCT (K)	Lifetime (h)
1	ZGSM-QD40H	860mA	40W	110 lm /w	4400 lm	100-240V /277V AC 50 /60Hz	Philips Lumileds Luxeon TX	MeanWell Inventronics	60° 90° 110°	3000* 4000 5000 5700	>100,000 (L70)
2	ZGSM-QD80H	900mA	80W	110 lm /w	8800 lm						
3	ZGSM-QD120H	900mA	120W	110 lm /w	13200 lm						
4	ZGSM-QD160H	900mA	160W	110 lm /w	17600 lm						

*Luminous Efficacy of 3000K is 5% lower than other CCTs.

Working Environment & Packing

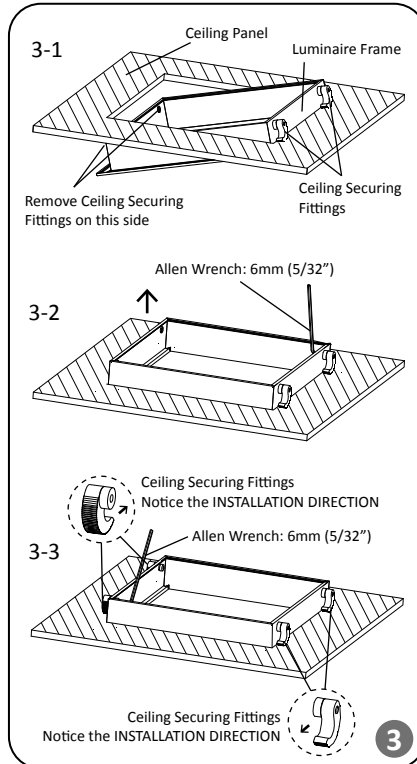
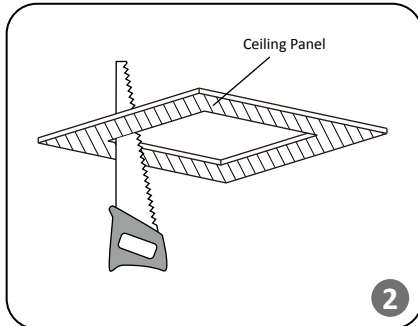
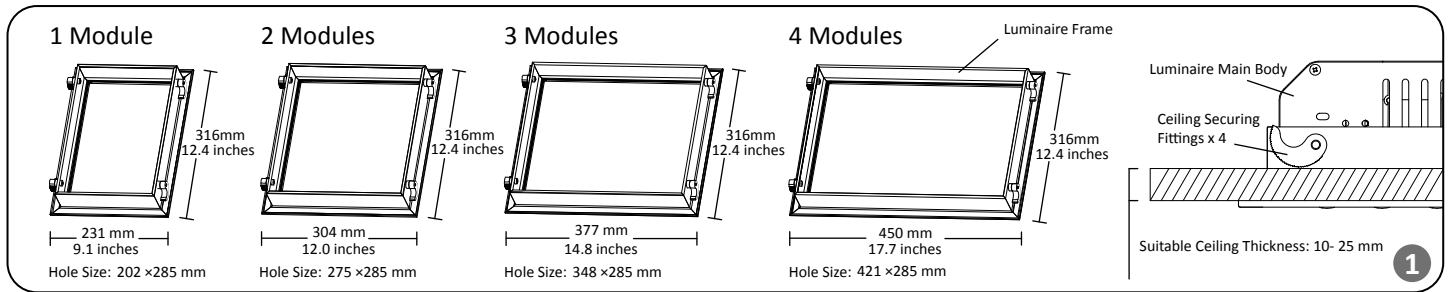
Number of Modules	Hole Size (mm)	Product Dimensions (mm)	Carton Size (mm)	N.W (kg)	G.W (kg)	Working Environment	Storage Temperature	Rating	CRI	Power Factor	Power Efficiency	Material
1	202*285	231*316*120	285*370*200	2.4	3.1	-40 °C ~ +50 °C 10% ~ 90%RH	-40 °C ~ +50 °C	Class I IP66 IK10	>70	>0.95	>90%	Housing: Aluminium Alloy; Lens: PC
2	275*285	304*316*120	355*370*200	3.6	4.4							
3	348*285	377*316*120	430*370*200	4.4	5.2							
4	421*285	450*316*120	505*370*200	5.4	6.3							

Note: Above data of weight are all typical values.

Certification

Manufacturer
ISO9001, ISO14001
H Series [ZGSM-QD40H, ZGSM-QD80H, ZGSM-QD120H, ZGSM-QD160H]
CE, ROHS, GS, CB, SAA, LM80, ATEX
H4/H5 Series [ZGSM-QD40H4, ZGSM-QD80H4, ZGSM-QD120H4, ZGSM-QD160H4 ZGSM-QD50H5, ZGSM-QD100H5, ZGSM-QD150H5, ZGSM-QD200H5]
CE, ROHS, LM80, ATEX
H6 Series [ZGSM-QD60H6, ZGSM-QD120H6, ZGSM-QD180H6, ZGSM-QD240H6]
CE, ROHS, LM80

Installation

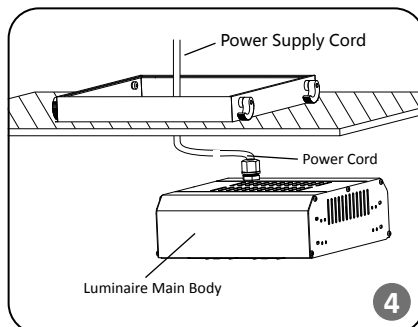


STEP 1:
Open the mounting hole on the Ceiling Panel.
(See **Figure 1** for opening size)

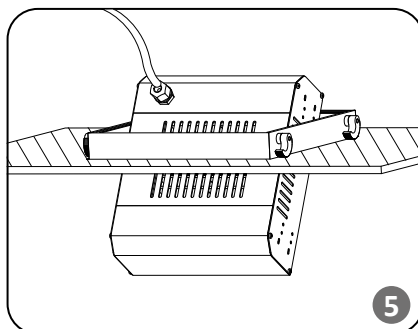
STEP 2:
Remove two(2) Ceiling Securing Fittings of one side, bring the side of Luminaire Frame with Ceiling Securing Fittings into Ceiling Panel. See **Figure 3-1**.

Bring entire Luminaire Frame into Ceiling Panel, Clamp the Ceiling Panel by Ceiling Securing Fittings and tighten by 6mm (5/32") Allen Wrench. See **Figure 3-2**.

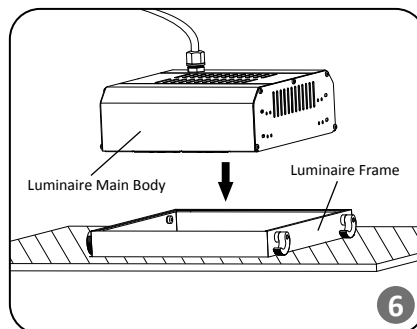
Mount the removed Ceiling Securing Fittings back to Luminaire Frame, notice that the both sides are opposited. Clamp and tighten by 6mm (5/32") Allen Wrench. See **Figure 3-3**.



STEP 3:
Connect the **Power Cord** to the supply wiring per "**Electrical Connections**" section for completing electrical connections.



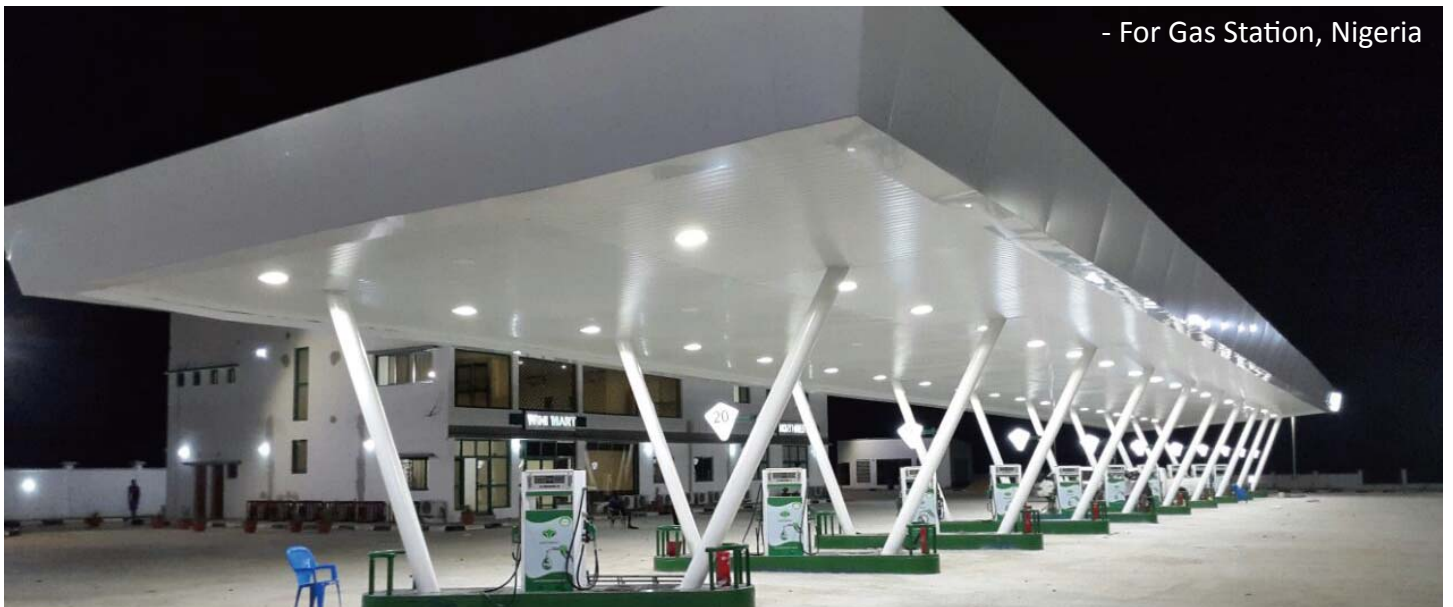
STEP 4:
Tilt and bring the Luminaire Main Body into Luminaire Frame after the step of "**Electrical Connections**". See **Figure 5**.



STEP 5:
Place the Luminaire Main Body by horizontal onto Luminaire Frame, fine tuning and ensure the Luminaire Main Body is snapped into to the slot of Luminaire Frame. See **Figure 6**.



- For Gas Station, Malaysia



- For Gas Station, Nigeria



- For Gas Station, Uruguay



- For Gas Station, Spain