

LED RECESSED LIGHTS

INSTALLATION INSTRUCTIONS

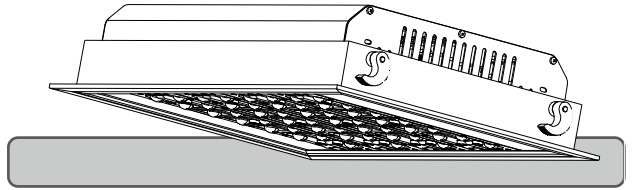
IMPORTANT SAFEGUARDS

When using electrical equipment, basic safety precautions should always be followed including the following:

READ AND FOLLOW ALL SAFETY INSTRUCTIONS

1. To avoid the possibility of electrical shock, turn off power supply before installation or servicing. Installation and servicing should be performed by qualified personnel.
2. Product must be installed in accordance with your local electrical code. If you are not familiar with these codes and requirements, consult a qualified electrician.
3. Do not change the structure or any components of the fixture to ensure safety.

SAVE THIS INSTRUCTIONS FOR FUTURE REFERENCE



100-240V/277V AC, 50/60Hz, Suitable for Wet Locations (IP66), Class I
*This product must be grounding

Power	Modules	Dimension	Weight
40W /50W/60W	1	231 x316 x120 mm /9.1 x12.4 x4.7"	2.4 kg /5.3 lbs
80W /100W/120W	2	304 x316 x120 mm/12.0 x12.4 x4.7"	3.6 kg /8.0 lbs
120W /150W/180W	3	377 x316 x120 mm/14.8 x12.4 x4.7"	4.4 kg /9.7 lbs
160W /200W/240W	4	450 x316 x120 mm/17.7 x12.4 x4.7"	5.4 kg /11.9 lbs

TO INSTALL:

40W /50W /60W
Hole Size: 202 ×285 mm
8.0 ×11.2 inches

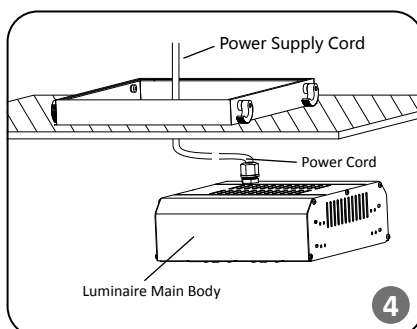
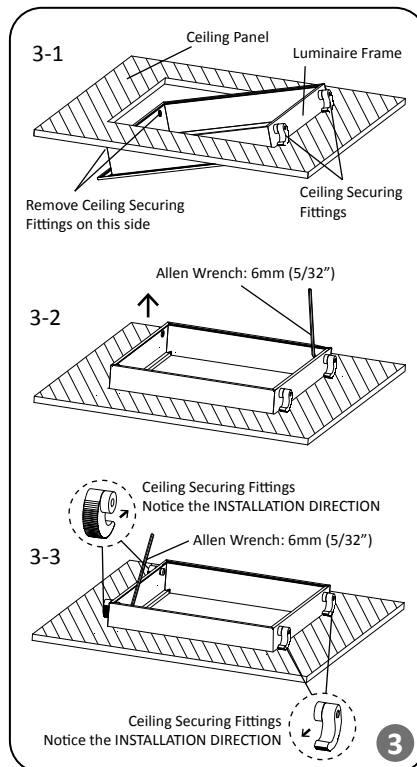
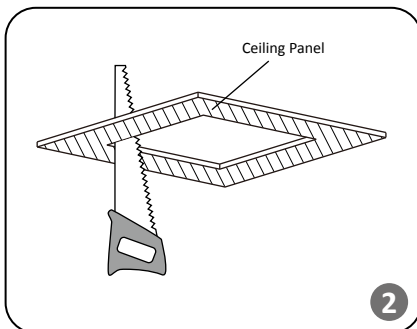
80W /100W /120W
Hole Size: 275 ×285 mm
10.8 ×11.2 inches

120W /150W /180W
Hole Size: 348 ×285 mm
13.7 ×11.2 inches

160W /200W /240W
Hole Size: 421 ×285 mm
16.6 ×11.2 inches

Suitable Ceiling Thickness:
10 - 25 mm /0.4 - 1.0 inches

1



STANDARD MOUNTING

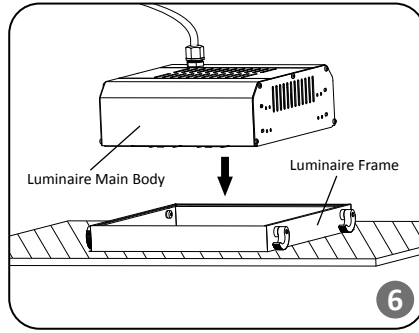
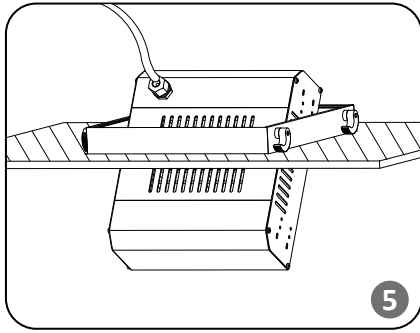
STEP 1:
Open the mounting hole on the Ceiling Panel.
(See **Figure 1** for opening size)

STEP 2:
Remove TWO(2) Ceiling Securing Fittings of one side, bring the side of Luminaire Frame with Ceiling Securing Fittings into Ceiling Panel. See **Figure 3-1**.

Bring entire Luminaire Frame into Ceiling Panel, Clamp the Ceiling Panel by Ceiling Securing Fittings and tighten by 6mm (5/32") Allen Wrench. See **Figure 3-2**.

Mount the removed Ceiling Securing Fittings back to Luminaire Frame, notice that the both sides are opposited. Clamp and tighten by 6mm (5/32") Allen Wrench. See **Figure 3-3**.

STEP 3:
Connect the **Power Cord** to the supply wiring per "**Electrical Connections**" section for completing electrical connections.



STEP 4:

Tilt and bring the Luminaire Main Body into Luminaire Frame after the step of “**Electrical Connections**”. See **Figure 5**.

STEP 5:

Place the Luminaire Main Body by horizontal onto Luminaire Frame, fine tuning and ensure the Luminaire Main Body is snapped into to the slot of Luminaire Frame. See **Figure 6**.

IMPORTANT

Check whether it concerns an AC(Alternating Current) based system - 100-240V/277V AC, 50/60Hz.

**ELECTRICAL CONNECTIONS - 100-240V/277V AC, 50/60Hz
PHASE TO NEUTRAL WIRING**

AC BASED

STEP 1:

Make the following Electrical Connections:

- a. Connect **INPUT GROUND** conductor to **GREEN WIRE** position of the terminal block or GROUND conductor of LED driver.
- b. Connect **INPUT VOLTAGE** conductor to **BROWN WIRE** position of the terminal block or LIVE conductor of LED driver.
- c. Connect **INPUT NEUTRAL** conductor to **BLUE WIRE** position of the terminal block or NEUTRAL conductor of LED driver.

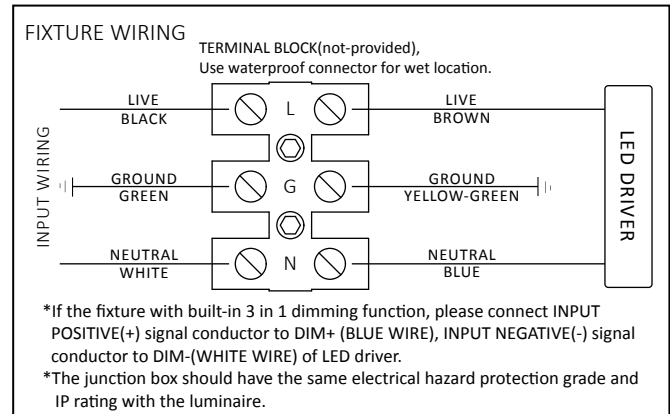
STEP 2:

Make sure all the connection are correct.

STEP 3:

If the fixture without a terminal block, please insulate all electrical connections with wire nuts suitable for at least 90°C.

Input cable should be at least H05RN-F 3x1.0mm²(SJTW 18AWG) or outdoor grade cable with rubber sheathed(not supplied). The cable must have a minimum cross sectional area of 1.0mm²(18AWG).



This marking indicates that this product should not be disposed with other household wastes throughout the EU. To prevent possible harm to the environment or human health from uncontrolled waste disposal, recycle it responsibly to promote the sustainable reuse of material resources. To return your used device, please use the return and collection systems or contact the retailer where the product was purchased. They can take this product for environmental safe recycling.