

Quick Installation Guide

please take the time to read this Quick Installation Guide. The guide contains important information and notes regarding the installation and operation.

IMPORTANT!

*Always switch off the power supply before commencing work!

*It must be installed by a professional electrician in accordance with the relevant electrical codes.

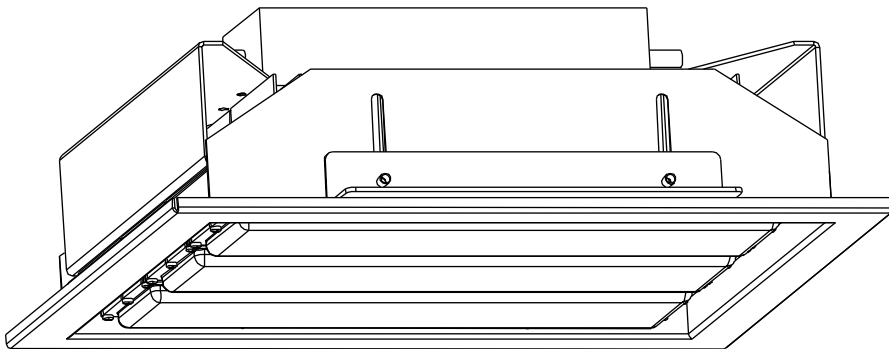
*Do not change the structure or any components of the recessed light to ensure safety.

*Please keep this Quick Installation Guide for at least the coming five years for future system maintenance.

*This LED recessed lights are designed to replace for general ones.

*Please read the installation instruction very carefully and follow the wiring instructions to ensure safety.

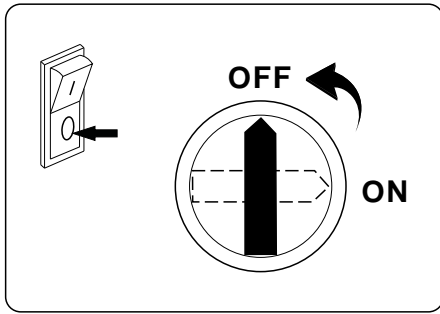
<i>Power</i>	<i>Modules</i>	<i>Hole Size</i>	<i>Dimension</i>	<i>Weight</i>
40W /50W/60W	1	103*315 mm	180*365*130 mm	3.2 kg
80W /100W/120W	2	186*315 mm	264*365*130 mm	4.7 kg
120W /150W/180W	3	265*315 mm	330*365*130 mm	6.7 kg
160W /200W	4	350*350 mm	430*400*130 mm	8.4 kg



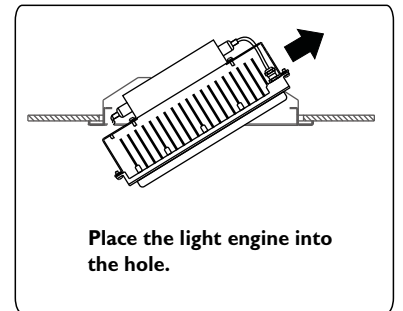
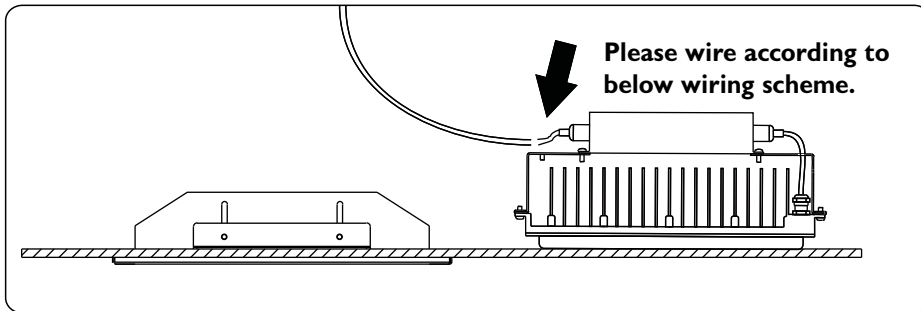
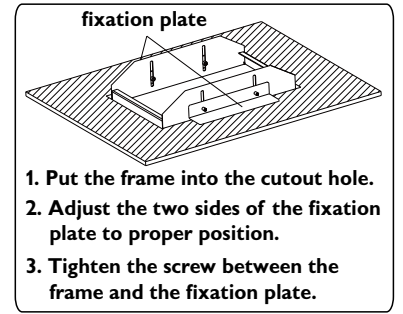
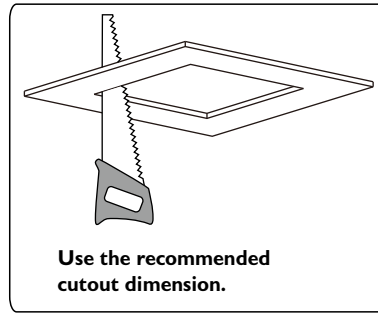
Check whether the input voltage range between 100-240V AC.

⚠ Caution:

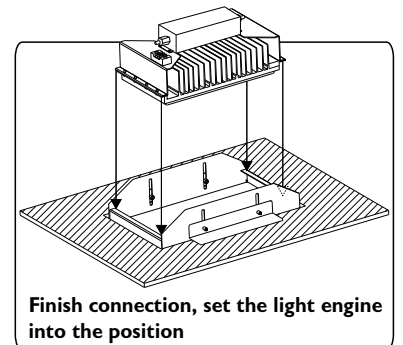
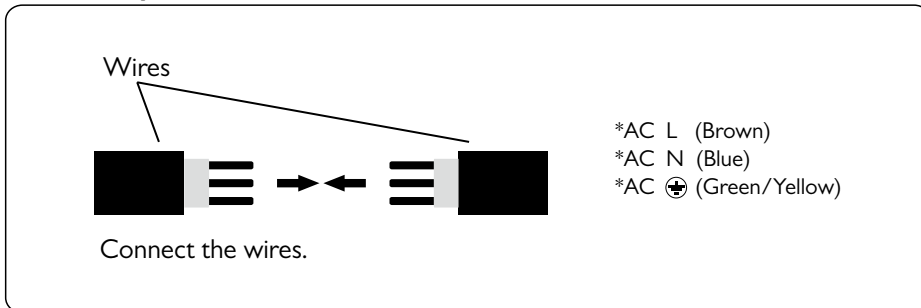
Switch Off the Power Supply



New Installation



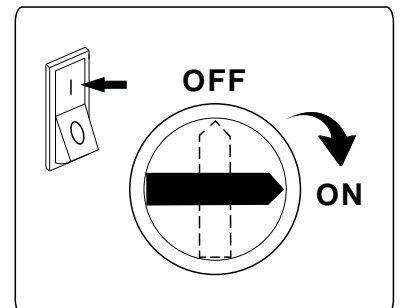
AC Based System



Packing List

LED Recessed Light :1 pc

Quick Installation Guide :1 pc



The product (LED lighting equipment, electrical , electronic equipment) should not be placed in municipal waste. Check local regulations for disposal of electronic products.

- Features and specifications are subject to change without notice.
- The product color may be different with actual due to discrepancy of camera or screen settings.