

SOLAR INTEGRATED STREET LIGHT

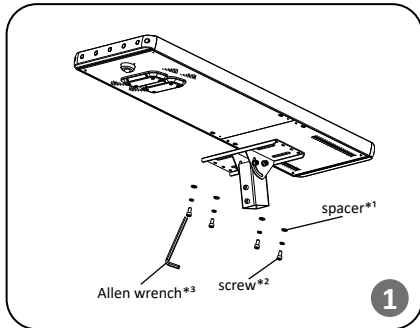
INSTALLATION INSTRUCTIONS

IMPORTANT SAFEGUARDS

When using electrical equipment, basic safety precautions should always be taken including the following:

Solar Panel Spec.	Monocrystal 50W						Monocrystal 70W					Monocrystal 100W			
	10W	15W	20W	30W	40W	50W	20W	30W	40W	50W	60W	30W	40W	50W	60W
Working Temperature	-20°C-60°C														
Installation Height	3~4m	3~5m	4~5m	4~6m	5~6m	5~7m	4~5m	4~6m	5~6m	5~7m	6~8m	4~6m	5~6m	5~7m	6~8m
Pole Aperture	Round pole: Φ 60mm; Square pole: 60 x60mm														
Fixture Dimension	860 x426 x229 mm						1120 x426 x229 mm					1610 x426 x229 mm			
Fixture Weight	13.8 kg	13.8 kg	14.9 kg	15.3 kg	15.3 kg	16.5 kg	16.8 kg	18.0 kg	19.0 kg	18.4 kg	19.4 kg	22.8 kg	22.8 kg	23.8 kg	25.0 kg

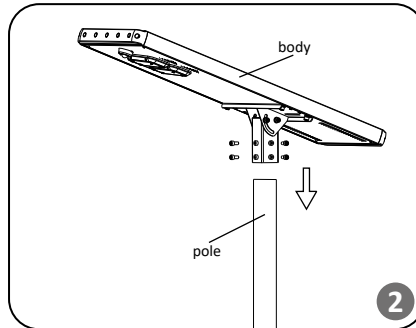
Installation and Maintenance



*1 Spacer: M8
*2 Screw: M8x50mm

STEP 1:

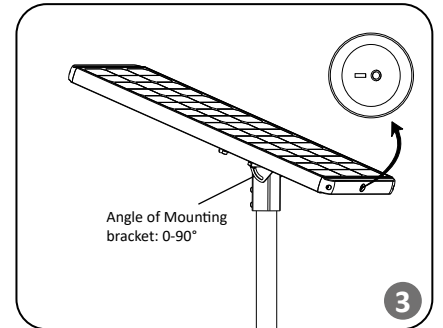
As shown in Diagram1, with the four M8x50 screws and four M8 spacer to fix the support base onto the light body. Tighten the four M8x 50 screws with 6mm Allen wrench.



*3 Allen wrench: 6mm

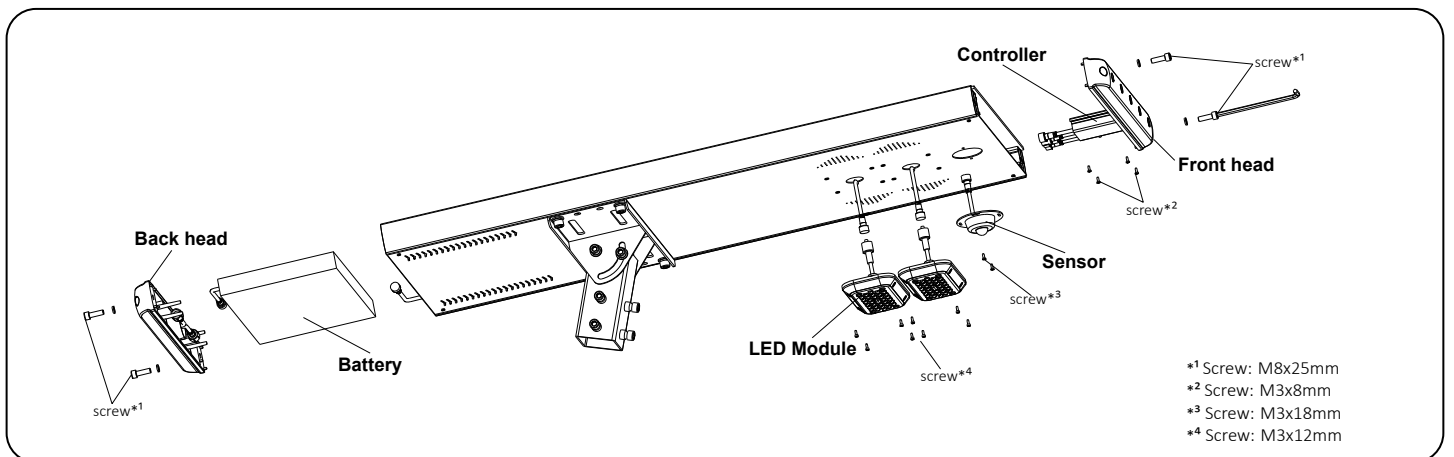
STEP 2:

As shown in Diagram2, cover the base into the pole. Adjust the fixture to the correct exposure point of view and then tighten the eight M8x50 screws.

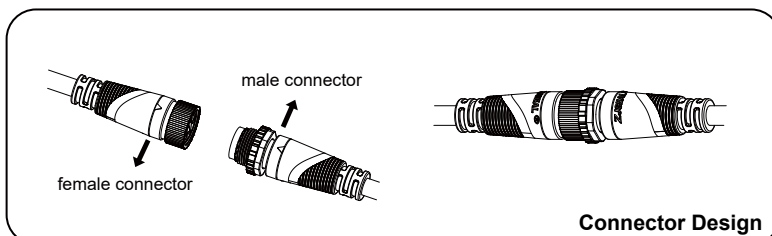


STEP 3:

Twist the toggle switch to the side of "I", to realize the normal operation of light.



*1 Screw: M8x25mm
*2 Screw: M3x8mm
*3 Screw: M3x18mm
*4 Screw: M3x12mm



Connector Design

CAUTION

- Keep combustible and other materials that can burn away from lamp/lens.
- Do not operate in close proximity to persons, combustible materials or substances affected by heat or dying.
- Wear gloves and safety glasses at all times when removing luminaire from carton, installing, servicing or performing maintenance.
- Avoid direct eye exposure to the light source when it is on.