

LED SOLAR STREET LIGHT

INSTALLATION GUIDE



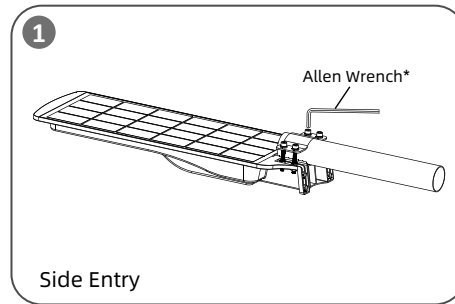
Solar Panel	Mono 12W/22W
Battery	LiFePO4 battery 10W-64WH 20W-128WH
Charging Mode	MPPT
CCT	3000K 4000K 5000K 5700K 6500K
Optics	Type V
IP Rating	IP65
Installation Height	3-6m
WARRANTY	2 years

Item	Parts	Qty	Picture
1	Light Body	1 Sets	
2	Hoop Anchor	1 Set	
3	M8*60MM Screw with nut	4 Sets	
4	Hoop pressing	2 Sets	
5	Remote Control	1 Set	
6	Instruction Manual	1 Set	

Nominal Wattage W	Fixture Dimension mm	Fixture Weight kg	Packing Type units /ctn	EPA m ²
10	577 x188 x65	2.4 (±0.1)	1	0.130
20	695 x241 x65	3.6 (±0.1)	1	0.201

INSTALLATION & CONNECTION INSTRUCTIONS

Open the package and check the product. In case of any damage, contact us.
Recommended torque: 12Nm ± 1Nm



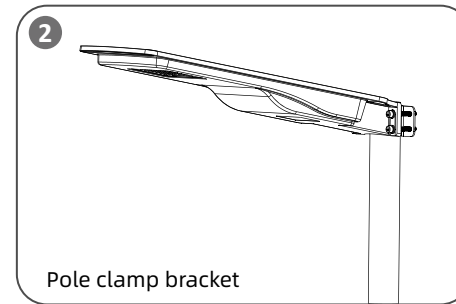
Allen Wrench*: 6mm

Side Entry

- STEP 1:** Loosen the four screws on the bracket, and put the hoop anchor on the top of the bracket, fix with screws but do not screw them all, as shown above.
- STEP 2:** Insert the lamp into the pole according to the arrow direction, as shown above.
- STEP 3:** Tighten the four screws of the bracket, The installation is completed.

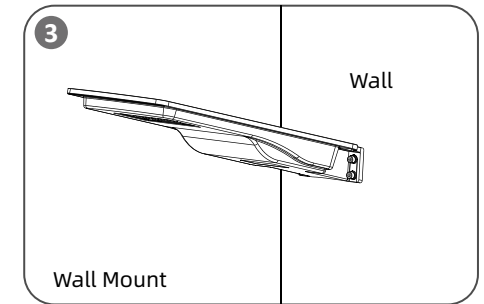
CAUTION

- Installation and maintenance must be performed by professionals only.
- Please ensure the pole is strong enough and the screws are tightened.
- Set the position of the solar panel facing south in the northern hemisphere to get the maximum solar energy. And same in The opposite direction in the southern hemisphere Installing the Selencompact, Make sure to avoid shadows covering the Solar panel, for better Charging efficiency and working performance.



Pole Clamp Bracket

- STEP 1:** Loosen the four screws on the bracket, but do not unscrew them all, as shown above.
- STEP 2:** Insert the lamp into the pole according to the arrow direction, as shown above.
- STEP 3:** Tighten the four screws of the bracket, The installation is completed.



Wall Mount

- STEP 1:** Loosen the four screws on the bracket, remove the hoop anchor.
- STEP 2:** Drill four M8 holes on the wall refer to mounted bracket holes.
- STEP 4:** Fix the lamp to the wall using four M8*60 expansion screws, the installation is completed.

IMPORTANT: Storage for more than 6 months is not recommended.

- For the product that has been stored for more than 6 months, please charge 1-2 days under sufficient sunlight to reach the desired working condition.
- Make sure the Solar panel is cleaned regularly, to avoid any dust, leaves, bird poop, Grease /humidity, etc. by spraying or splashing water to ensure the solar panel's efficiency.
- Do not use chemicals or corrosive cleaner to clean the fixture.